

PROJECT: LOT 20348

Scale: N.T.S

Drawn by: Thorif Ibrahim

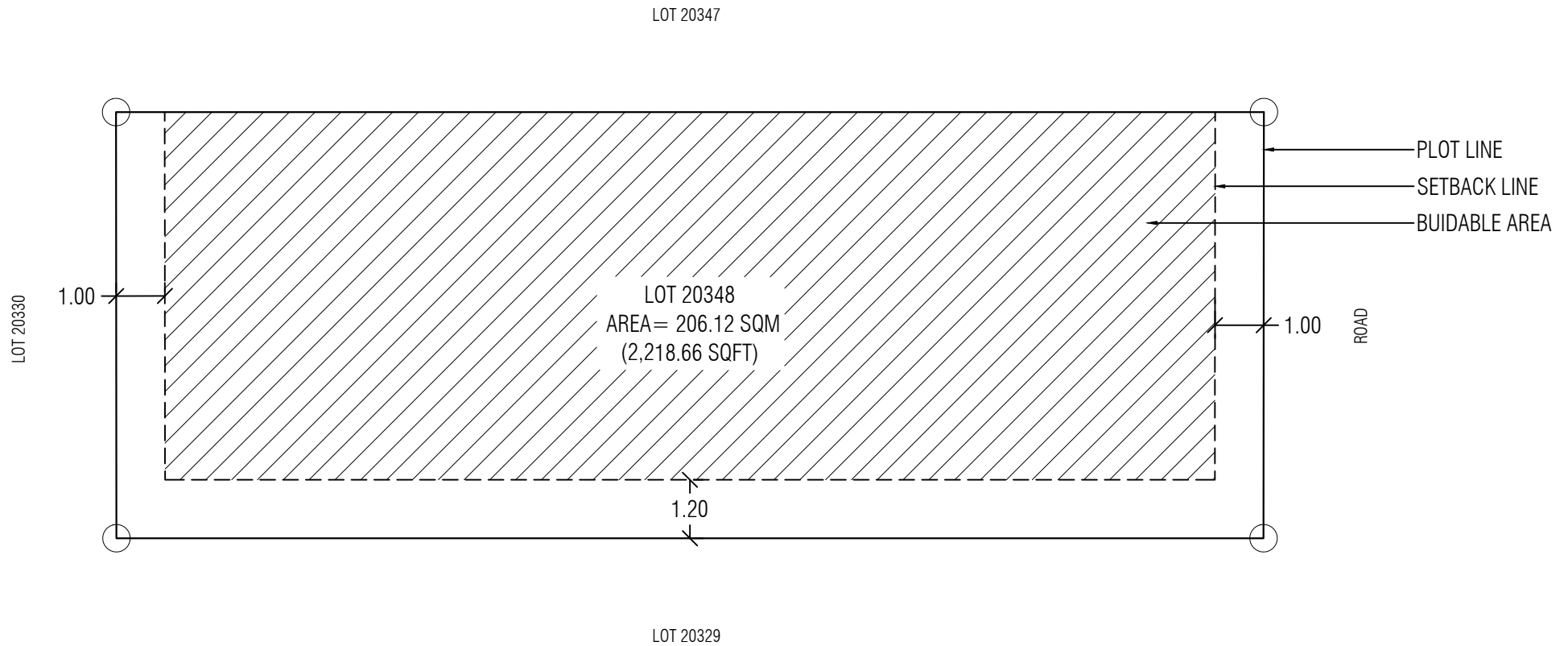
Checked by: Muhammed Ibrahim

Date: 16th October 2022

DRAWING: LOCATION MAP

Remarks:





PROJECT: LOT 20348

Scale: N.T.S

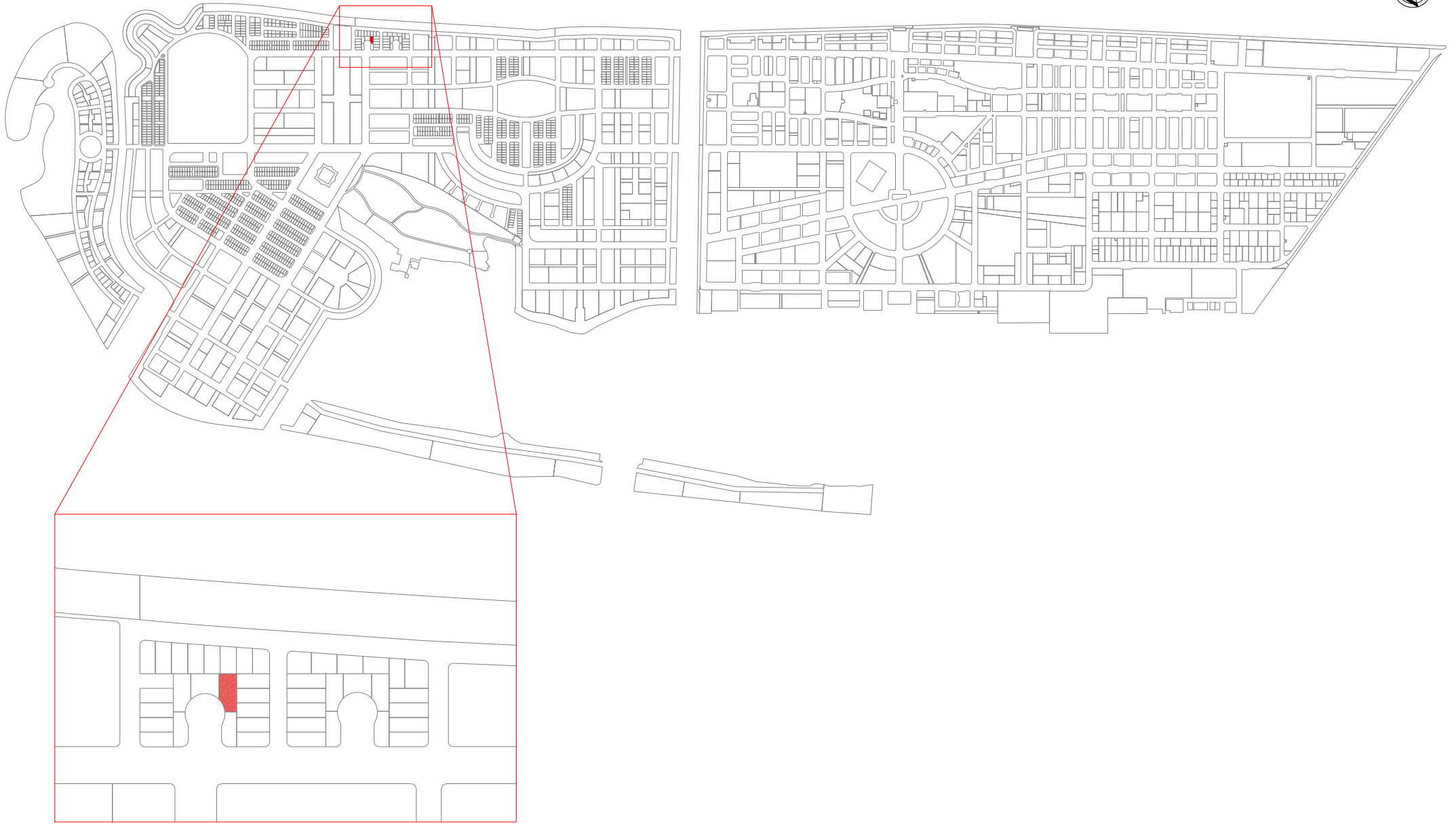
Drawn by: Ziya Zaki

Checked by: Shahid Ahmed Waheed

Date: 18th October 2022

DRAWING: SETBACK PLAN

Remarks:



PROJECT: LOT 20351

Scale: N.T.S

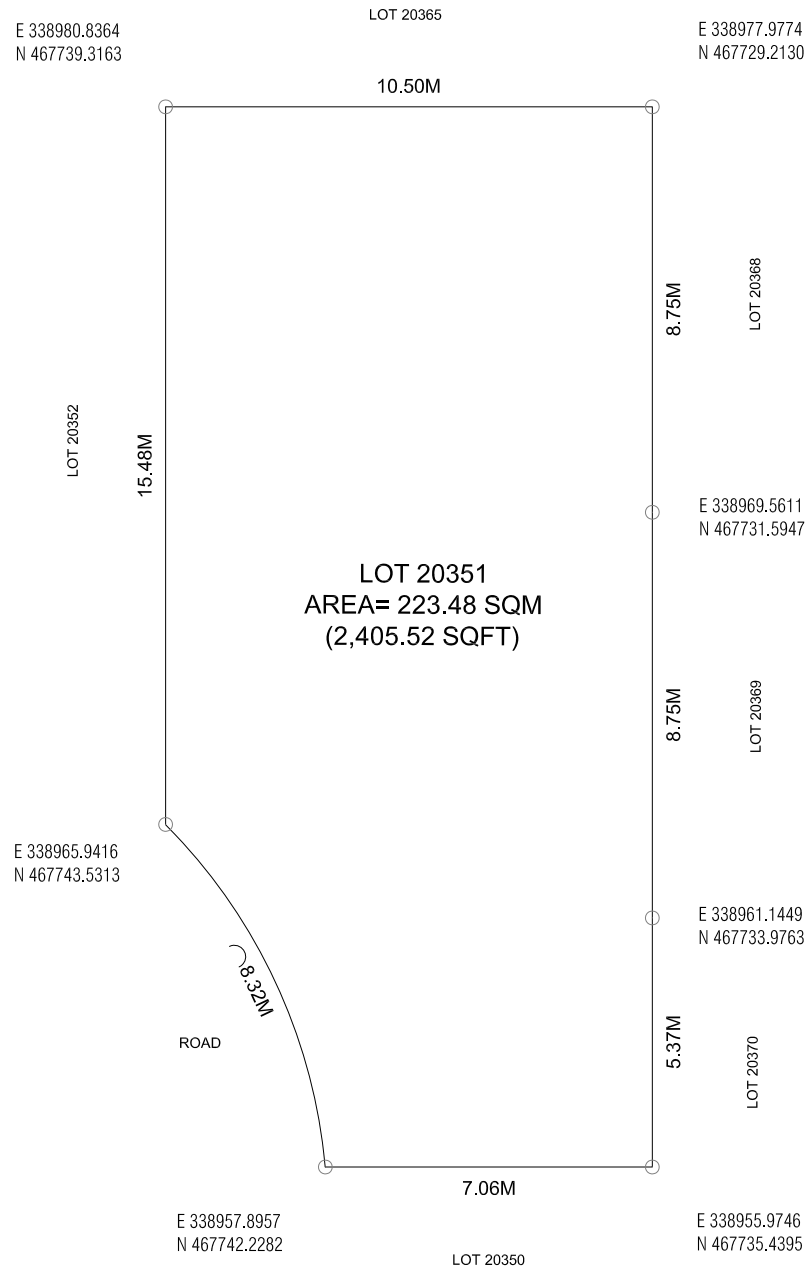
Drawn by: Thorif Ibrahim

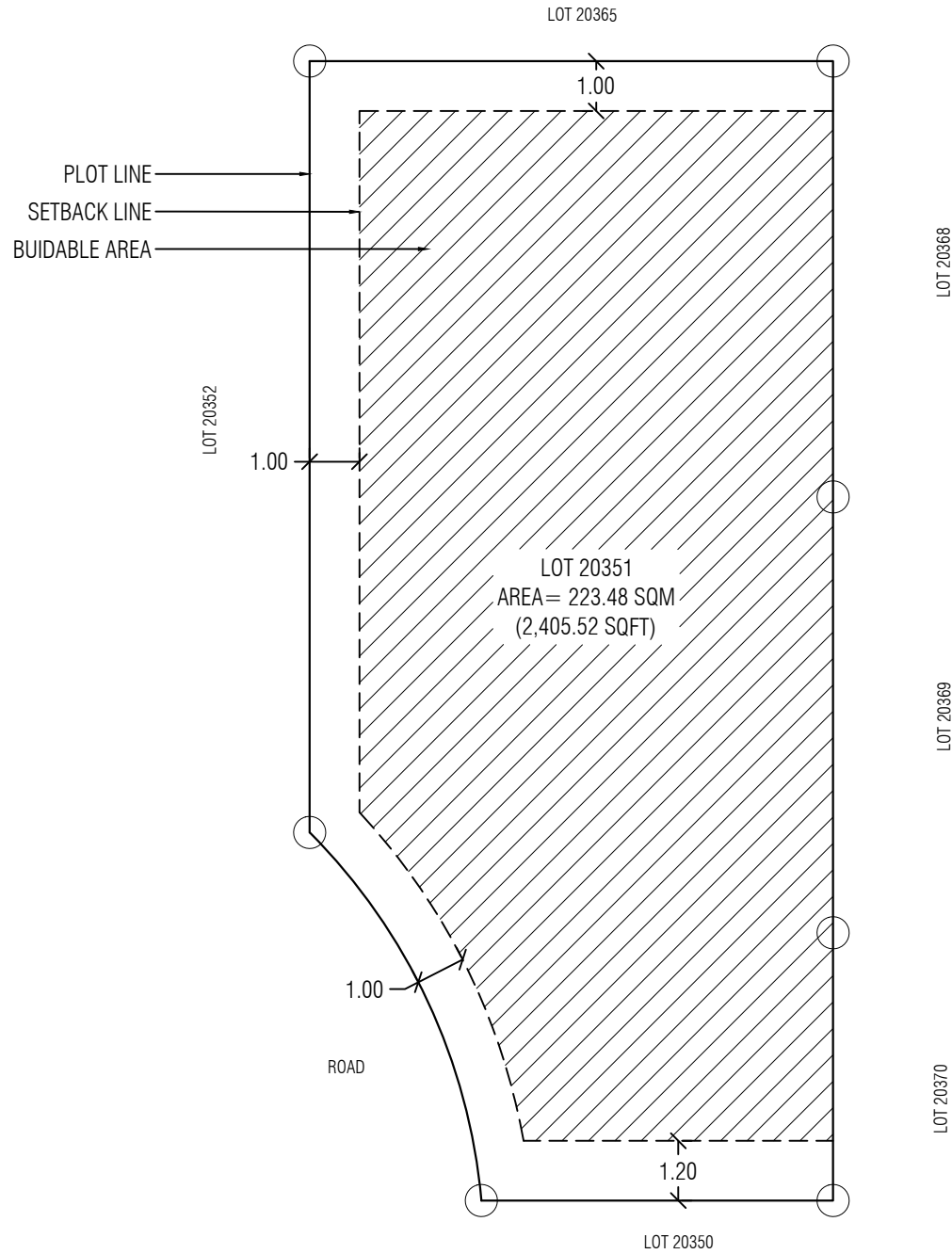
Checked by: Muhammed Ibrahim

Date: 16th October 2022

DRAWING: LOCATION MAP

Remarks:





PROJECT: LOT 20351

Scale: N.T.S

Drawn by: Ziya Zaki

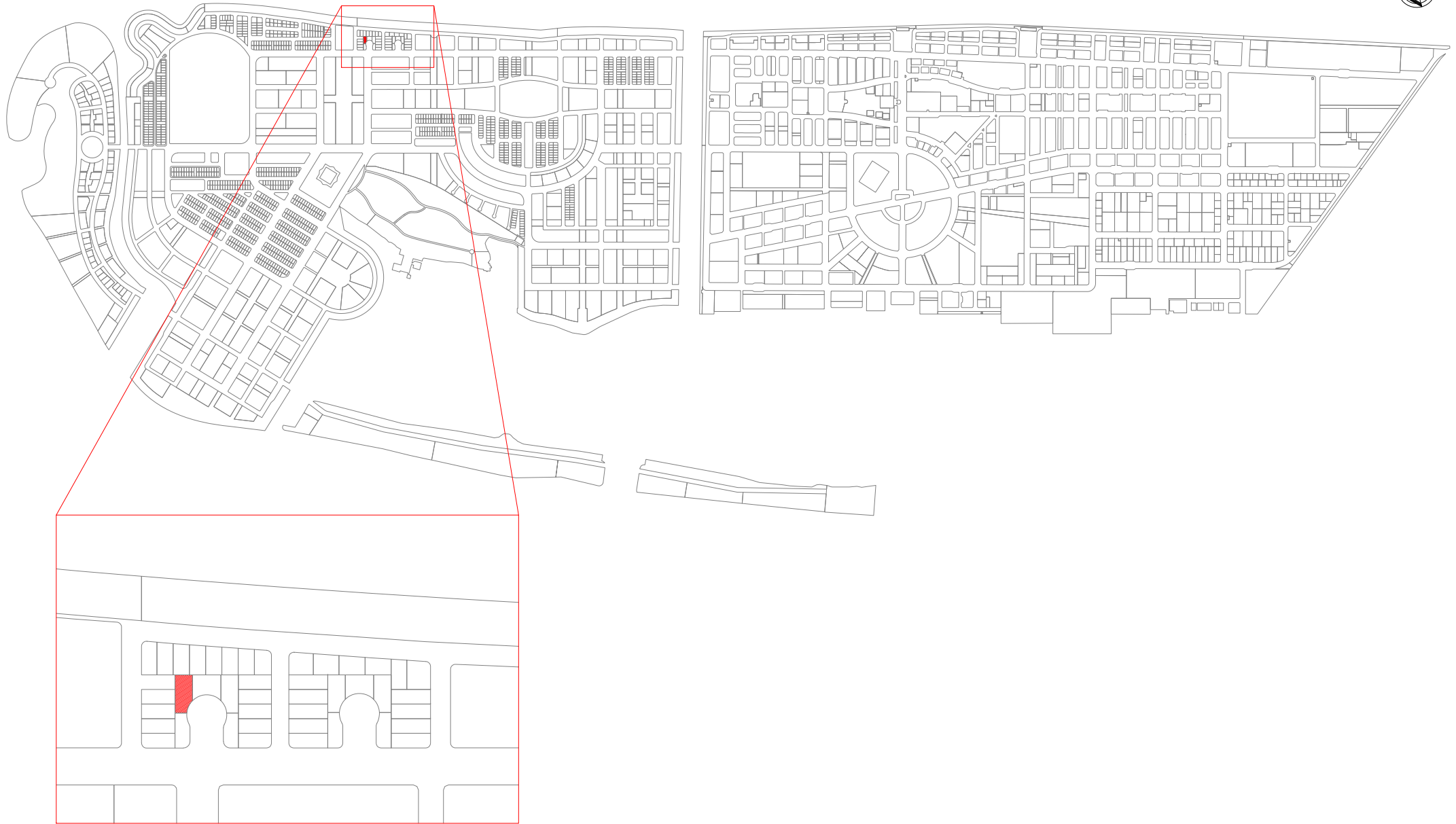
Checked by: Shahid Ahmed Waheed

Date: 18th October 2022

DRAWING: SETBACK PLAN

Remarks:

HOUSING DEVELOPMENT CORPORATION
PLANNING AND DEVELOPMENT DEPARTMENT
3RD FLOOR, HDC BUILDING HULHUMALE'
REPUBLIC OF MALDIVES
TEL. +(960)3353535, FAX +(960)3358892
EMAIL : planning@hdc.com.mv



PROJECT: LOT 20353

Scale: N.T.S

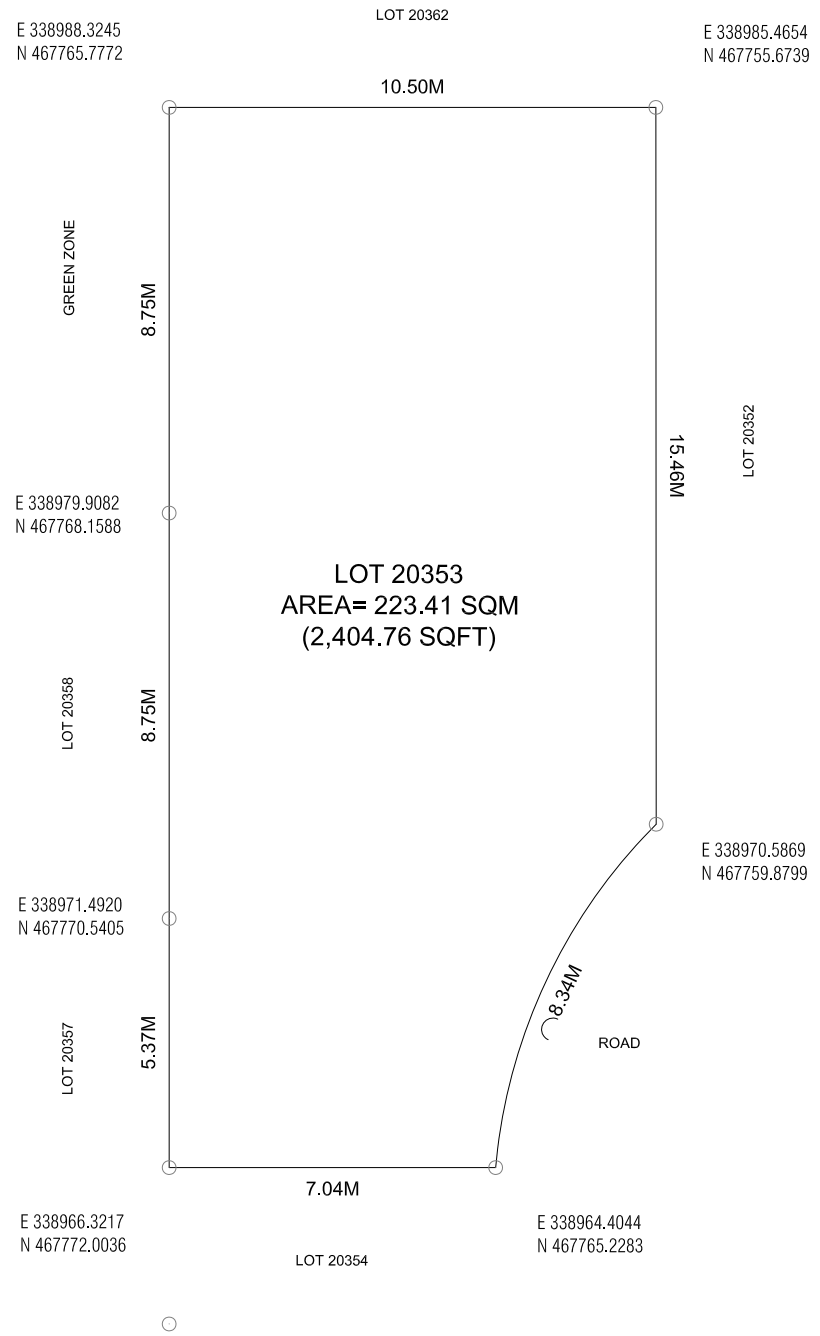
Drawn by: Thorif Ibrahim

Checked by: Muhammed Ibrahim

Date: 16th October 2022

DRAWING: LOCATION MAP

Remarks:



PROJECT: LOT 20353

Scale: N.T.S

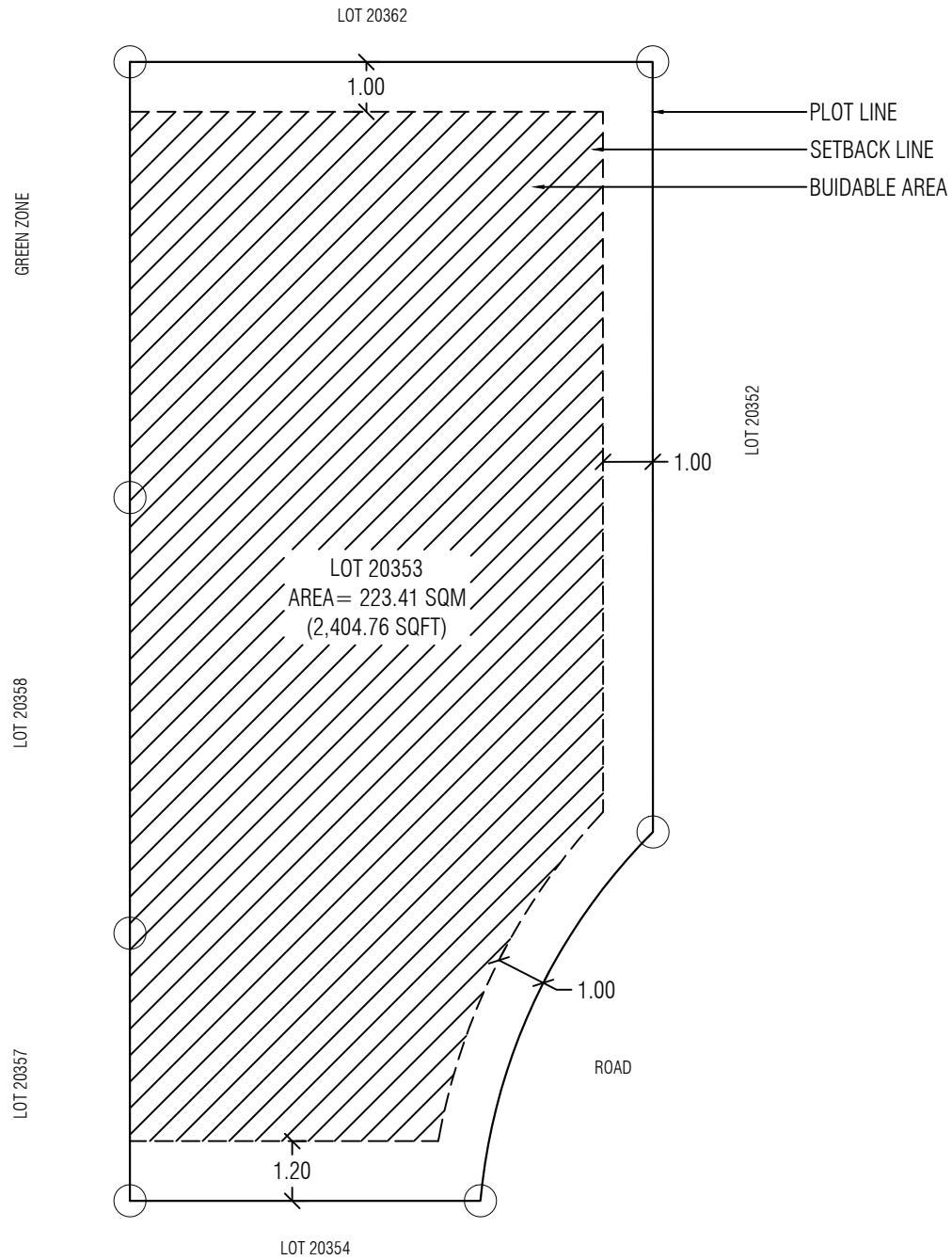
Drawn by: Thorif Ibrahim

Checked by: Muhammed Ibrahim

Date: 16th October 2022

Remarks:

DRAWING: PLOT MAP



PROJECT: LOT 20353

Scale: N.T.S

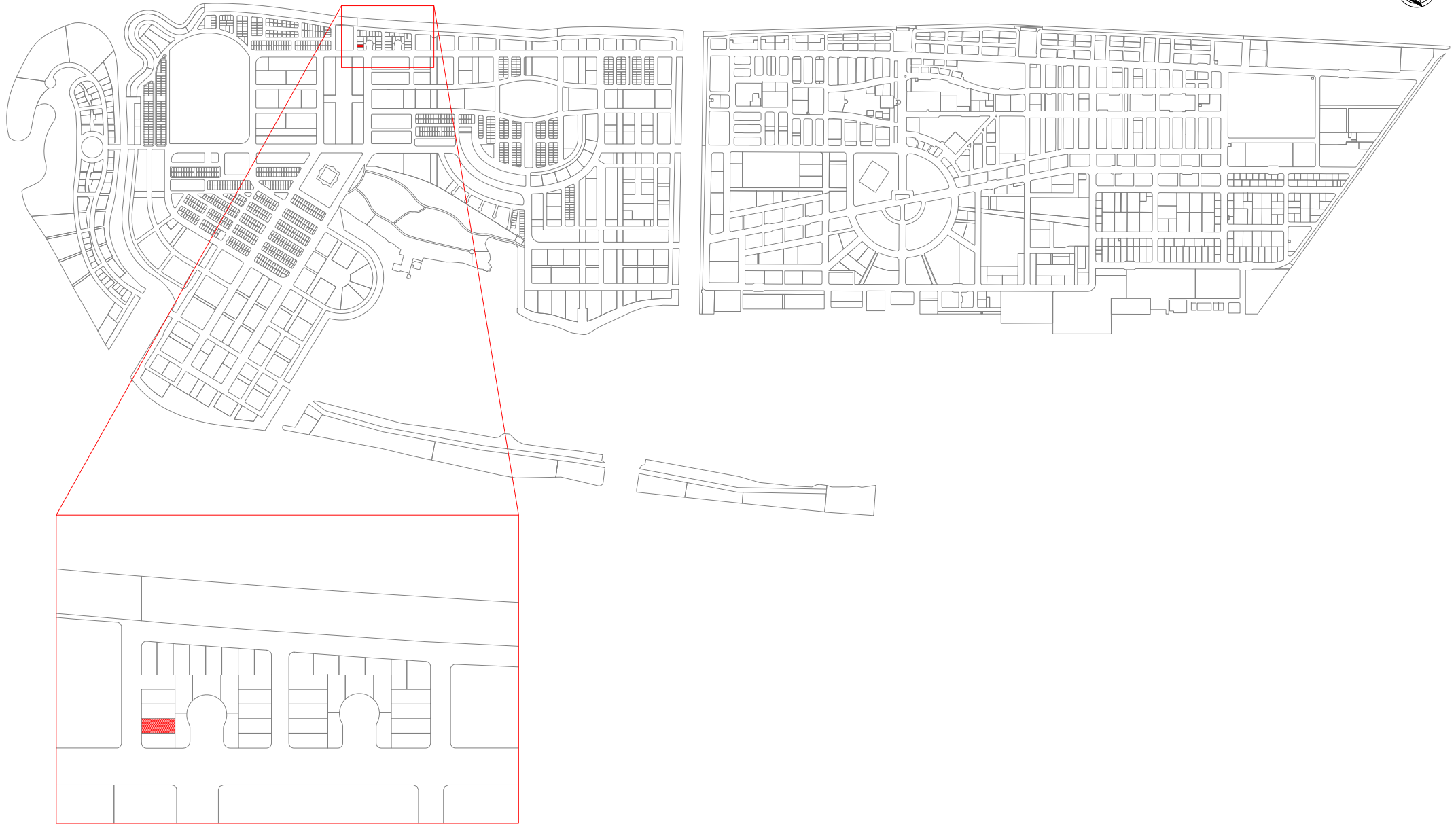
Drawn by: Ziya Zaki

Checked by: Shahid Ahmed Waheed

Date: 18th October 2022

DRAWING: SETBACK PLAN

Remarks:



PROJECT: LOT 20356

Scale: N.T.S

Drawn by: Thorif Ibrahim

Checked by: Muhammed Ibrahim

Date: 16th October 2022

DRAWING: LOCATION MAP

Remarks:



PROJECT: LOT 20356

Scale: N.T.S

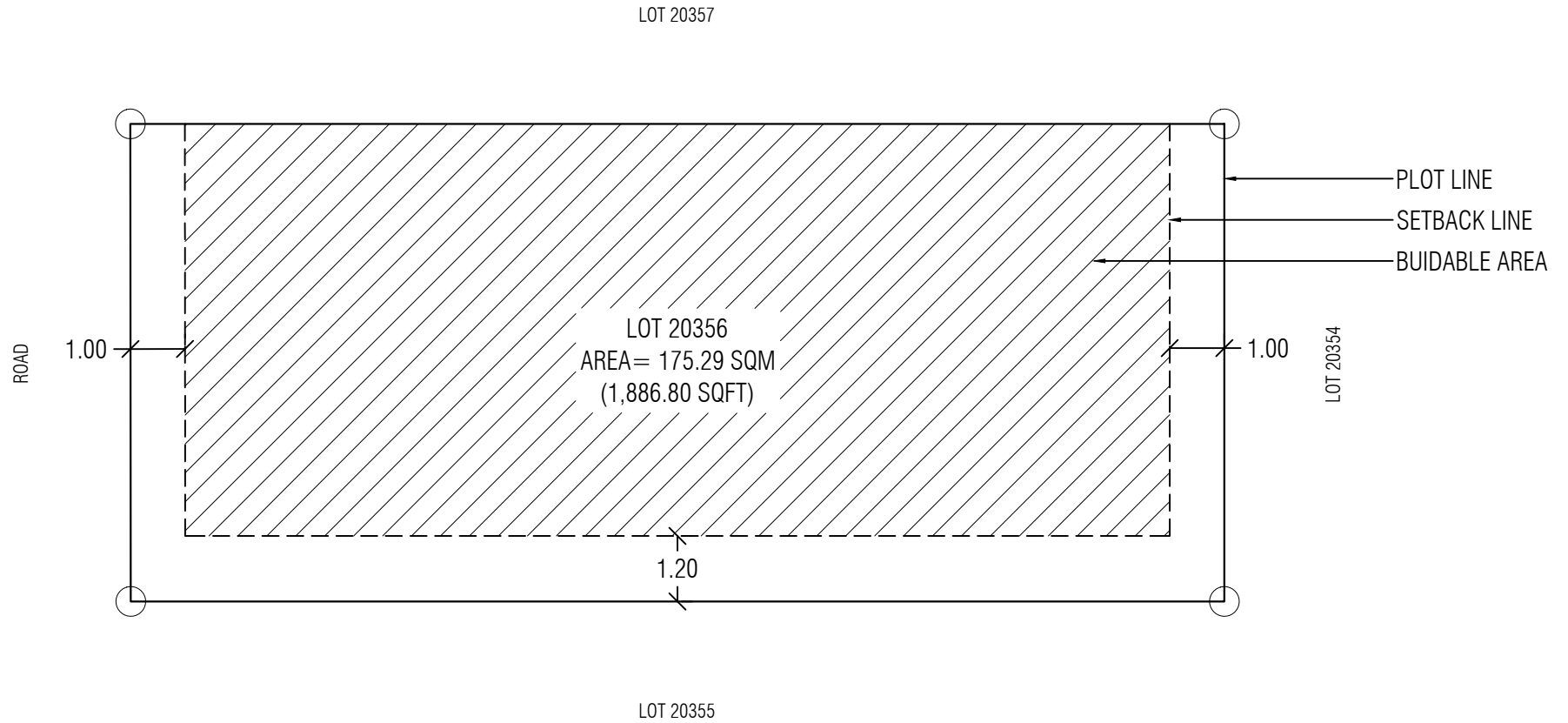
Drawn by: Thorif Ibrahim

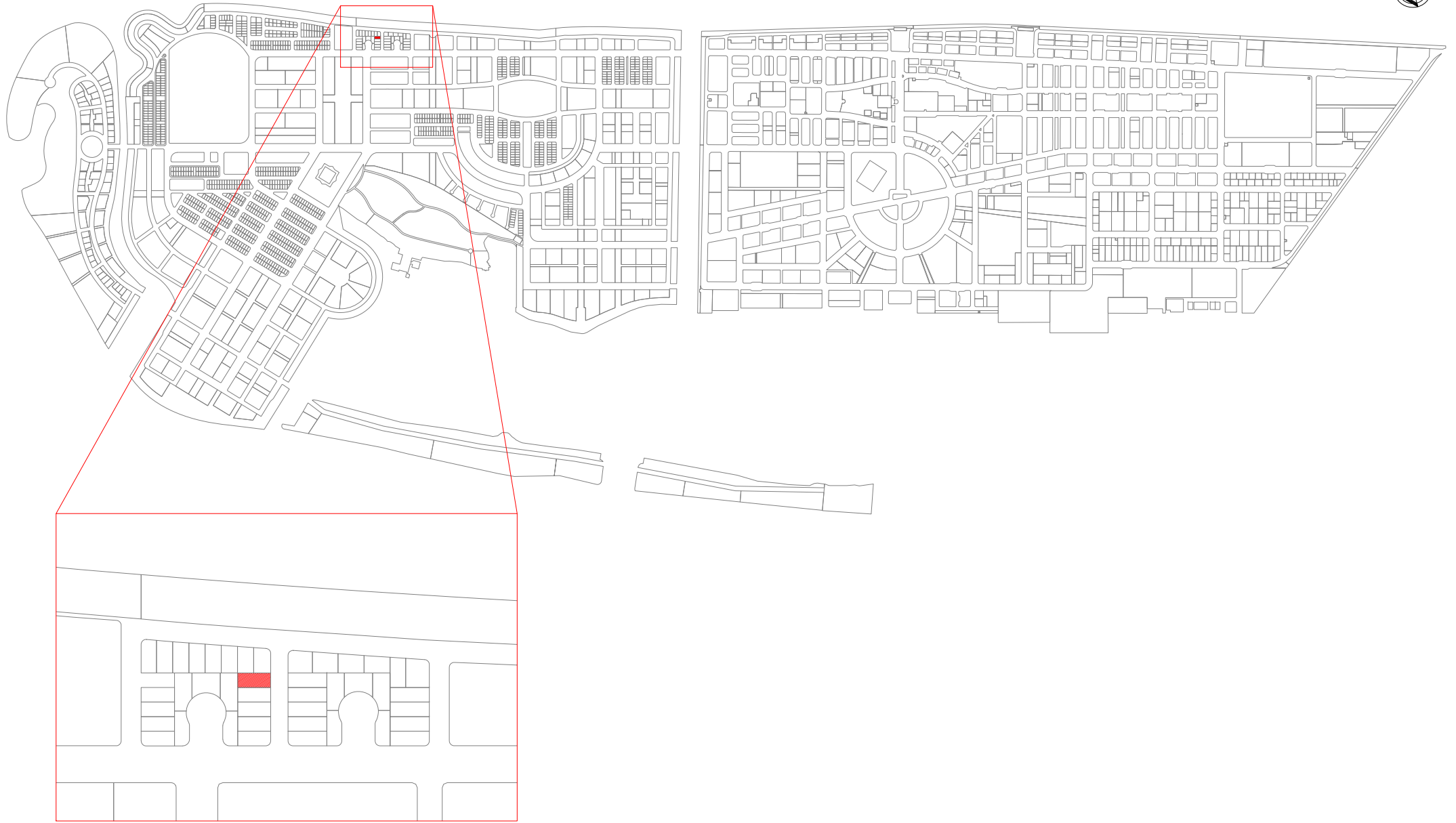
Checked by: Muhammed Ibrahim

Date: 16th October 2022

Remarks:

DRAWING: PLOT MAP





PROJECT: LOT 20368

Scale: N.T.S

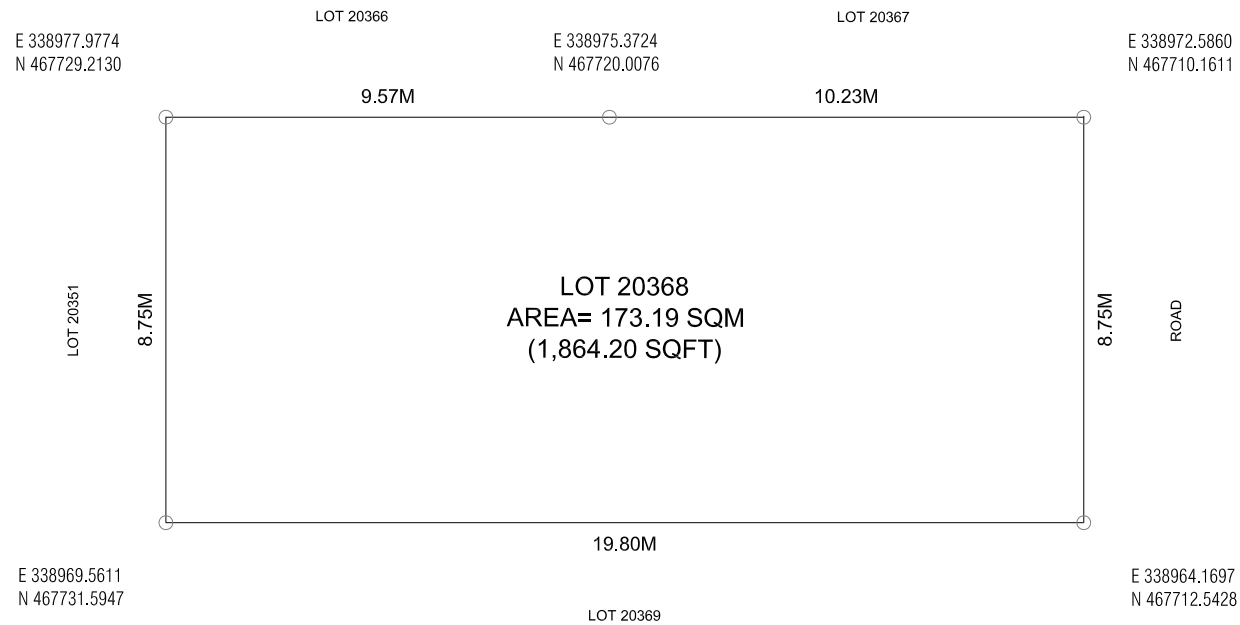
Drawn by: Thorif Ibrahim

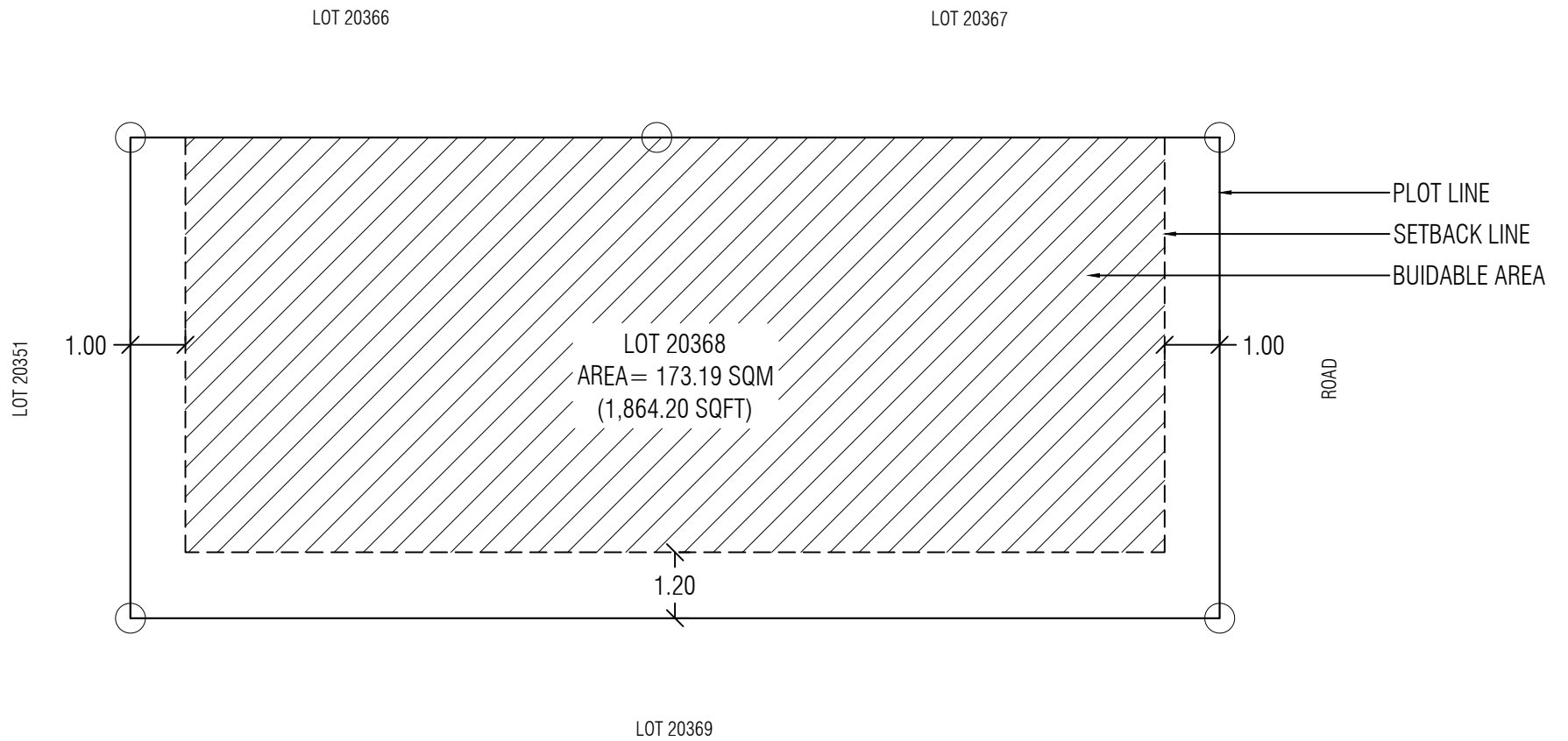
Checked by: Muhammed Ibrahim

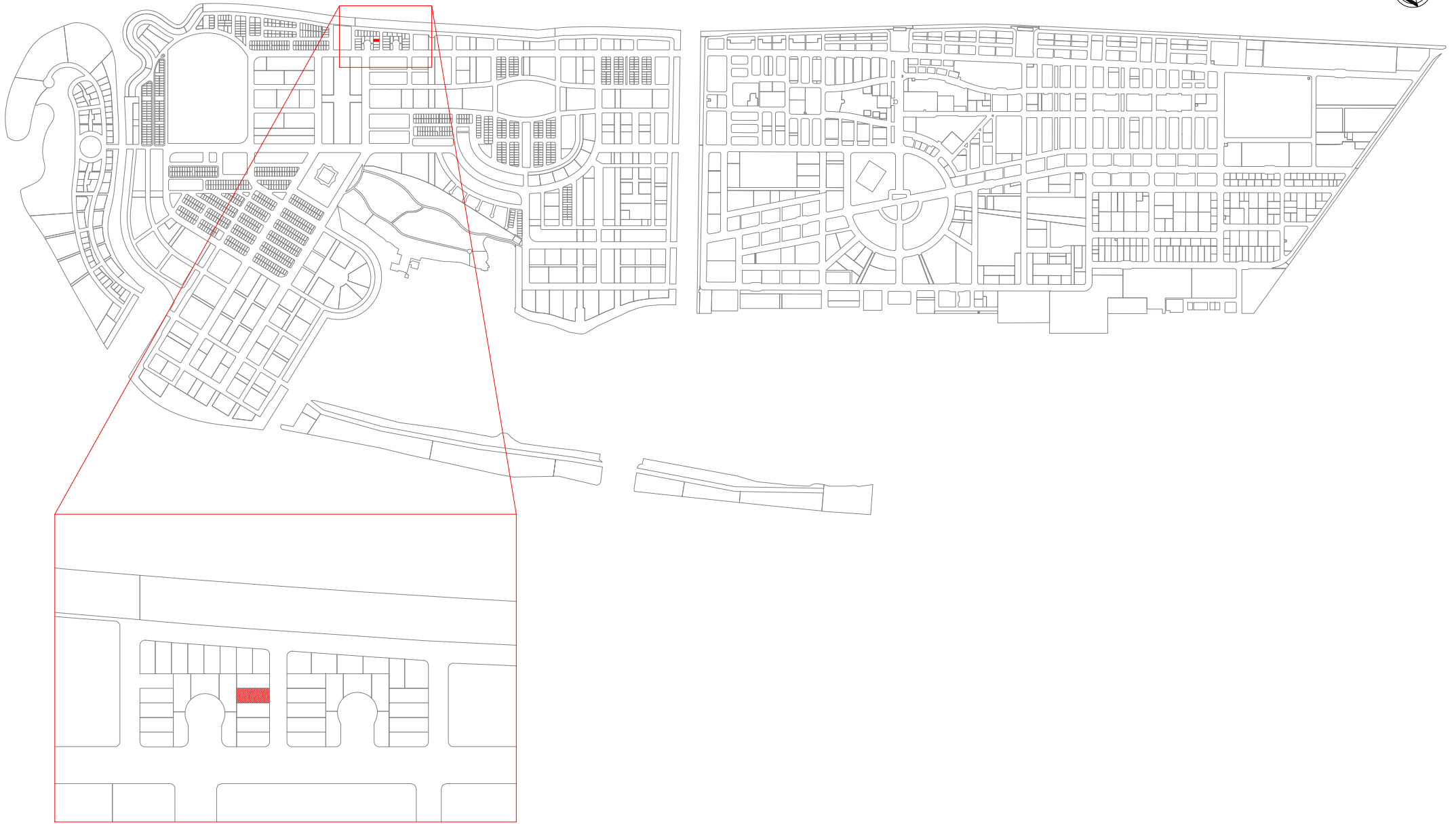
Date: 16th October 2022

DRAWING: LOCATION MAP

Remarks:







PROJECT: LOT 20369

Scale: N.T.S

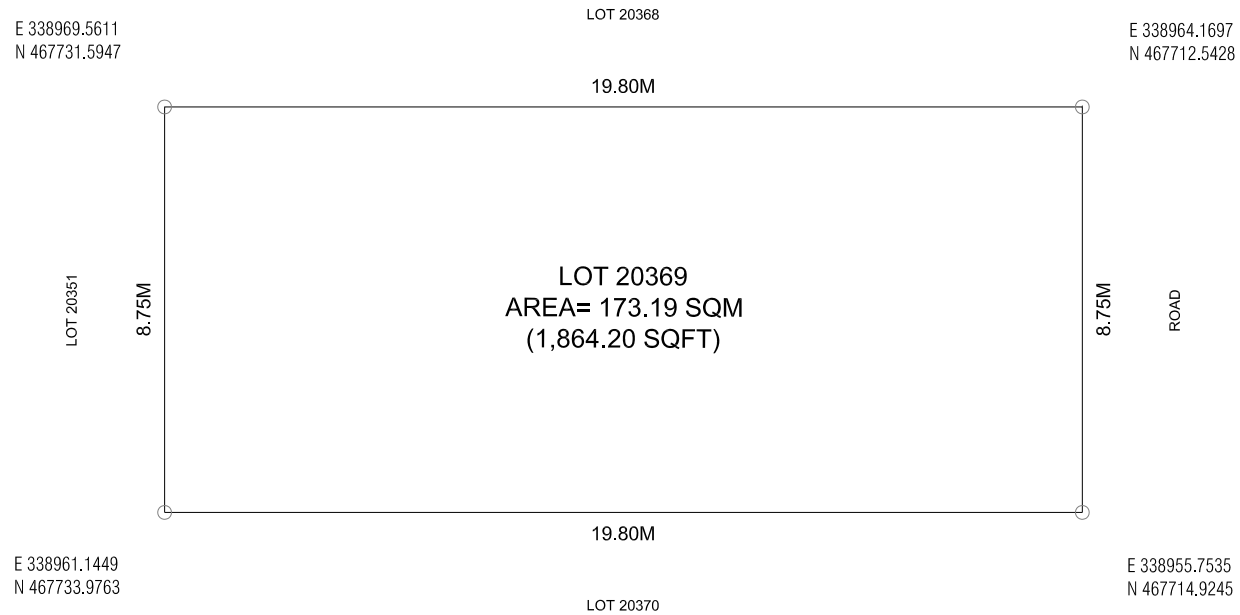
Drawn by: Thorif Ibrahim

Checked by: Muhammed Ibrahim

Date: 16th October 2022

DRAWING: LOCATION MAP

Remarks:



PROJECT: LOT 20369

DRAWING: PLOT MAP

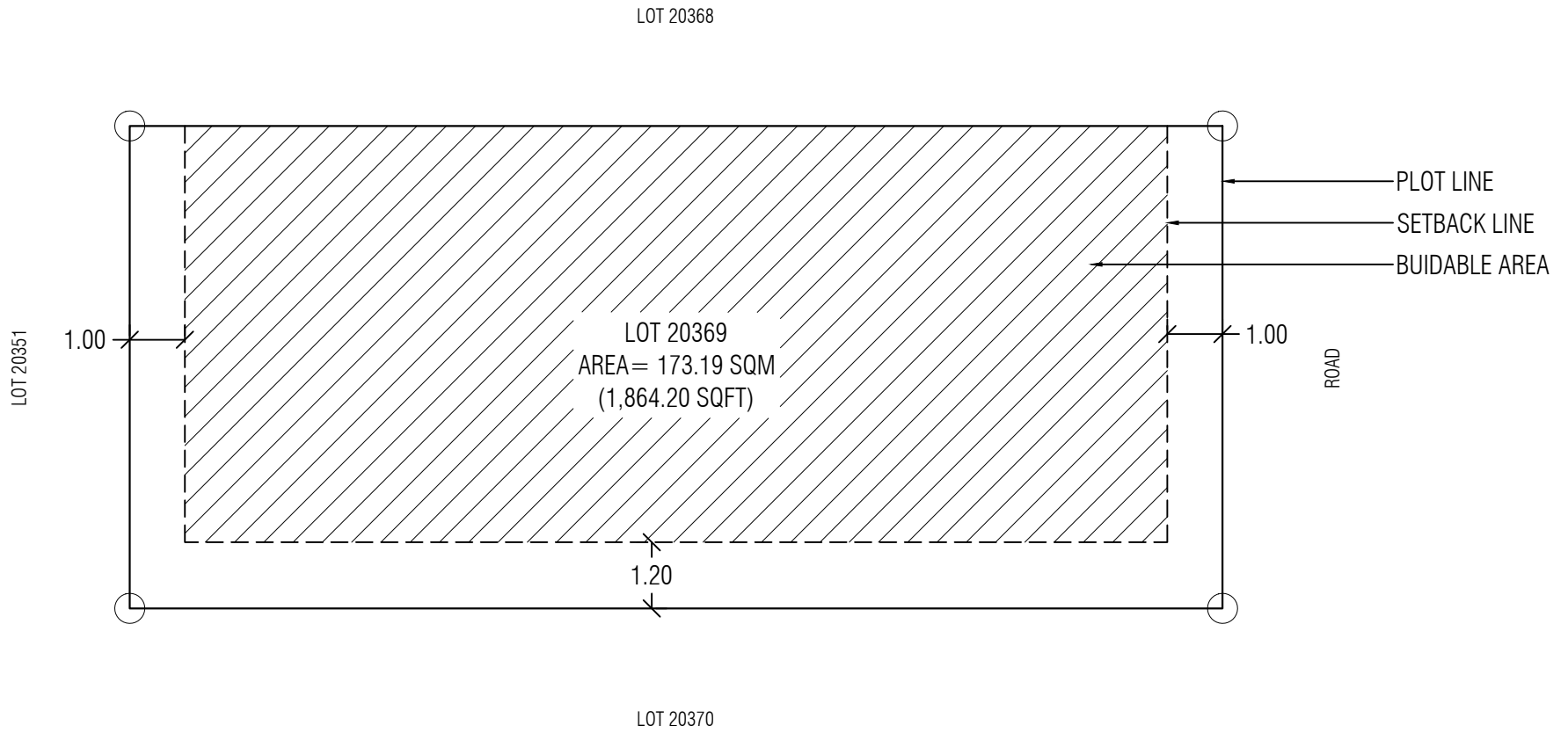
Scale: N.T.S

Drawn by: Thorif Ibrahim

Checked by: Muhammed Ibrahim

Date: 16th October 2022

Remarks:



PROJECT: LOT 20369

Scale: N.T.S

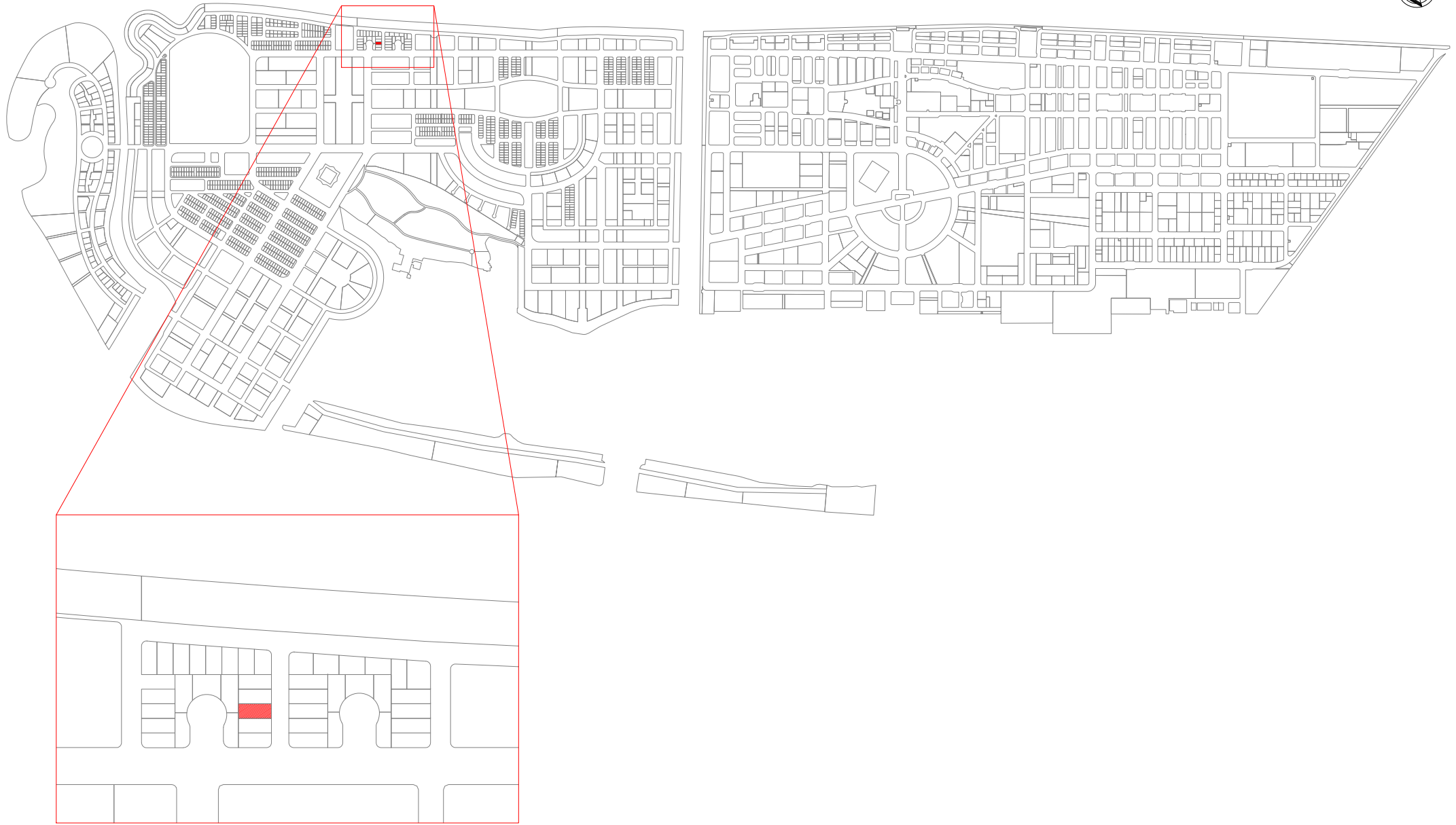
Drawn by: Ziya Zaki

Checked by: Shahid Ahmed Waheed

Date: 18th October 2022

DRAWING: SETBACK PLAN

Remarks:



PROJECT: LOT 20370

Scale: N.T.S

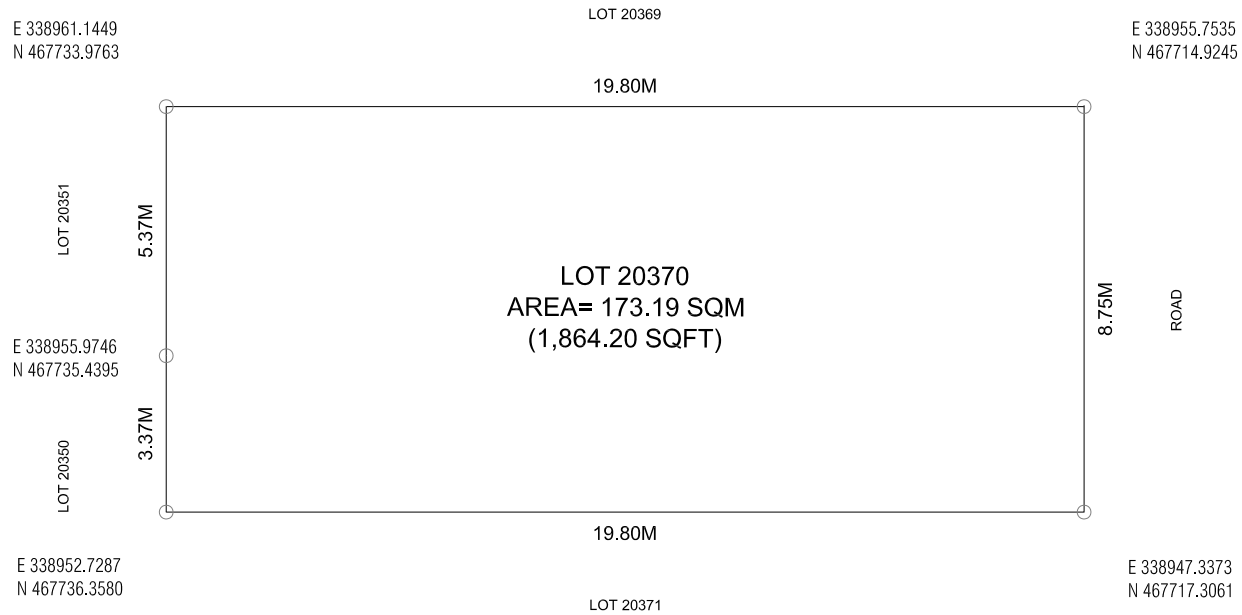
Drawn by: Thorif Ibrahim

Checked by: Muhammed Ibrahim

Date: 16th October 2022

DRAWING: LOCATION MAP

Remarks:



PROJECT: LOT 20370

DRAWING: PLOT MAP

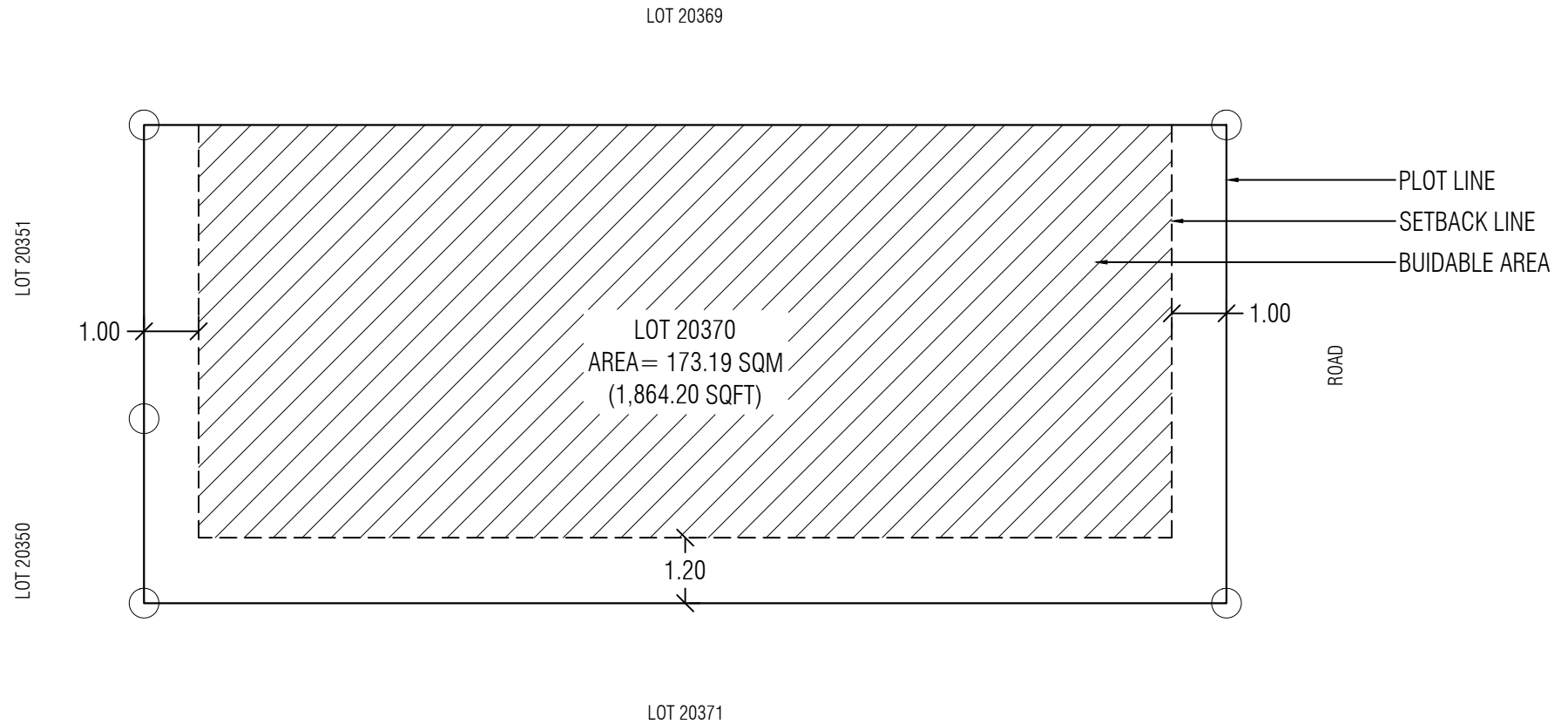
Scale: N.T.S

Drawn by: Thorif Ibrahim

Checked by: Muhammed Ibrahim

Date: 16th October 2022

Remarks:



PROJECT: LOT 20370

Scale: N.T.S

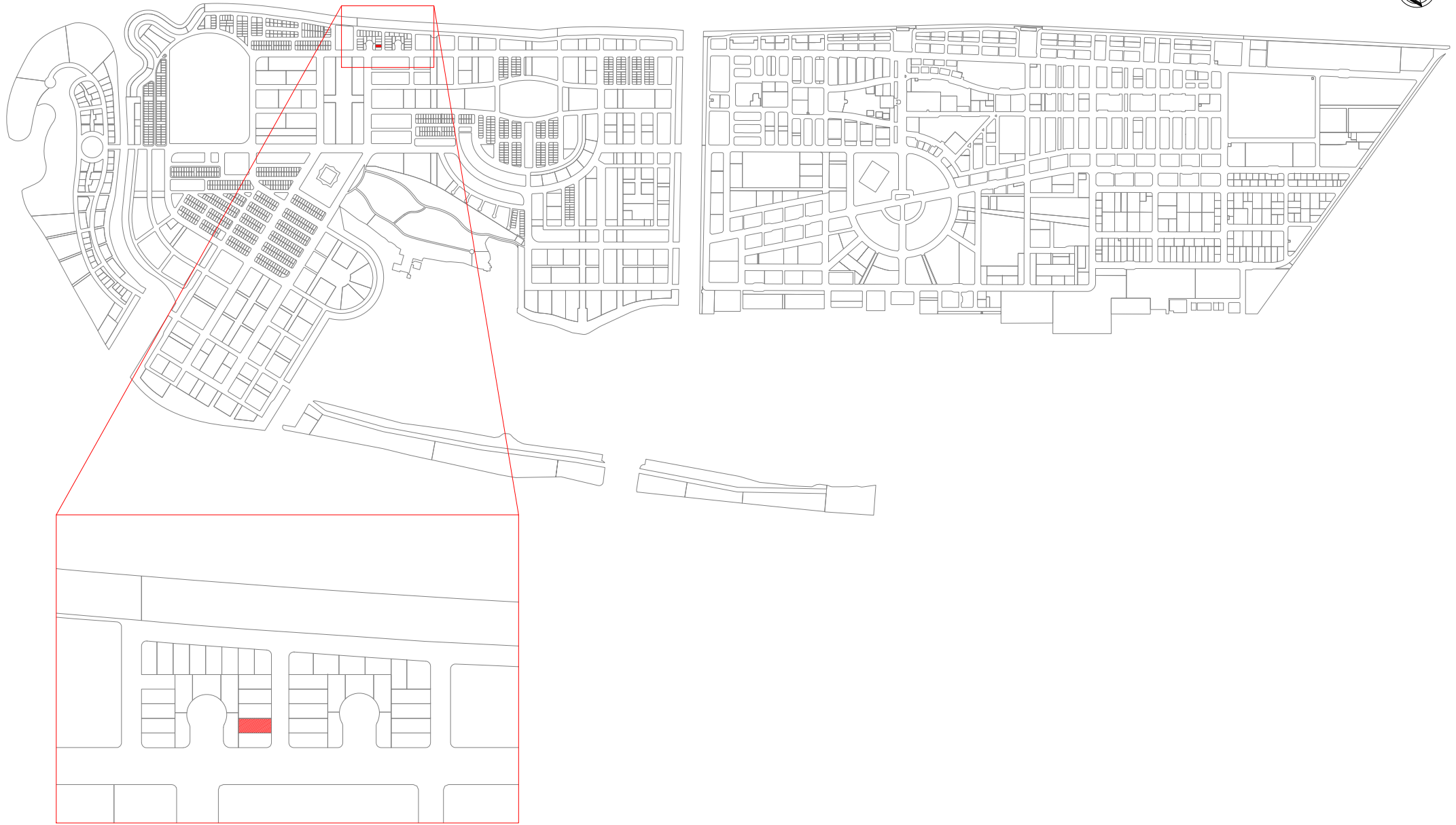
Drawn by: Ziya Zaki

Checked by: Shahid Ahmed Waheed

Date: 18th October 2022

DRAWING: SETBACK PLAN

Remarks:



PROJECT: LOT 20371

Scale: N.T.S

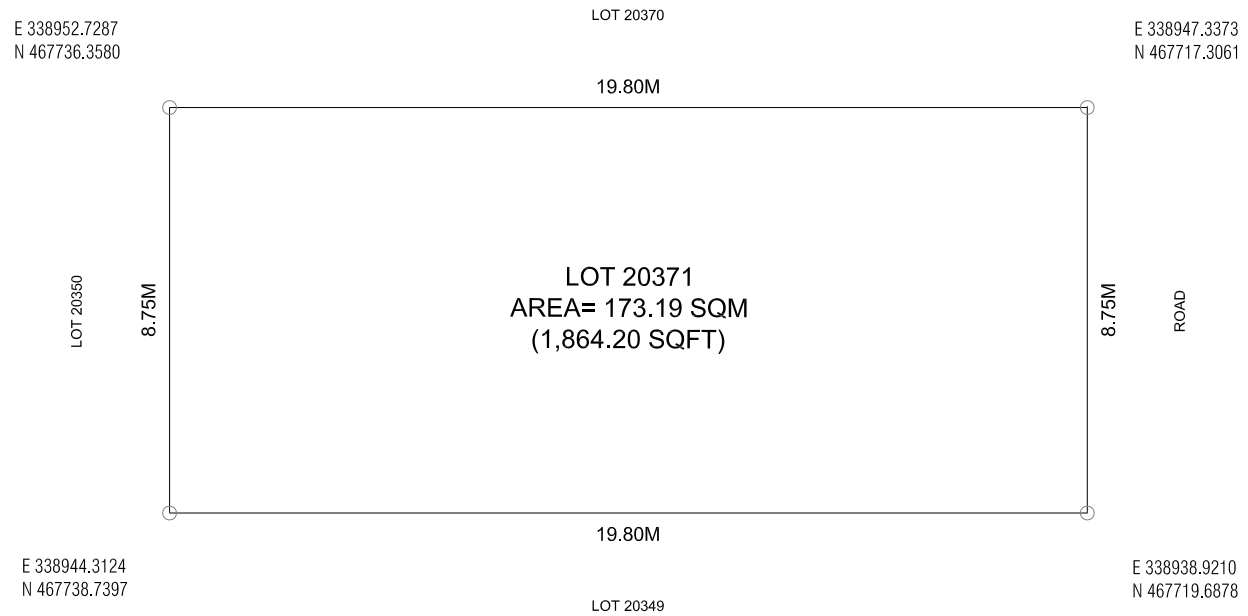
Drawn by: Thorif Ibrahim

Checked by: Muhammed Ibrahim

Date: 16th October 2022

DRAWING: LOCATION MAP

Remarks:



PROJECT: LOT 20371

DRAWING: PLOT MAP

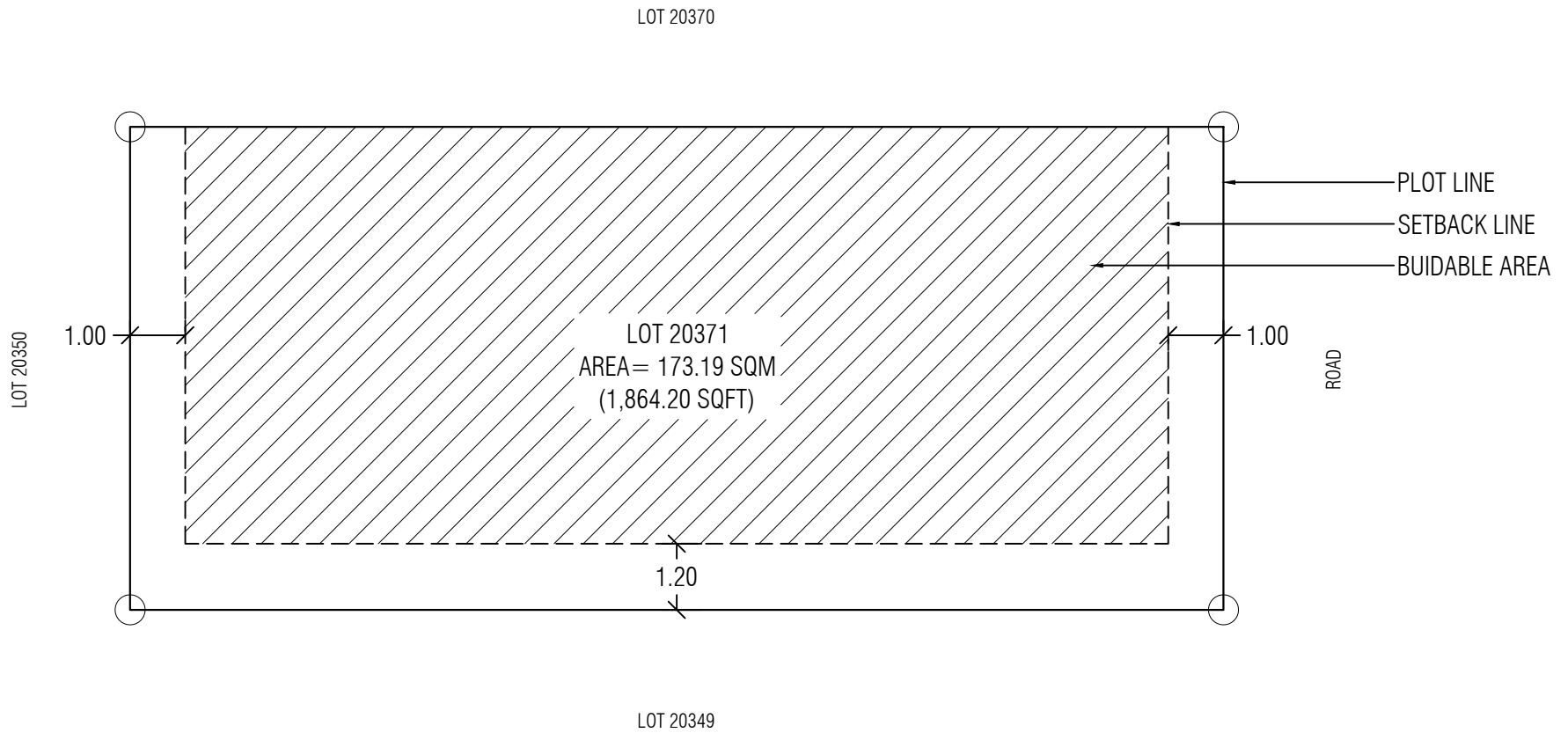
Scale: N.T.S

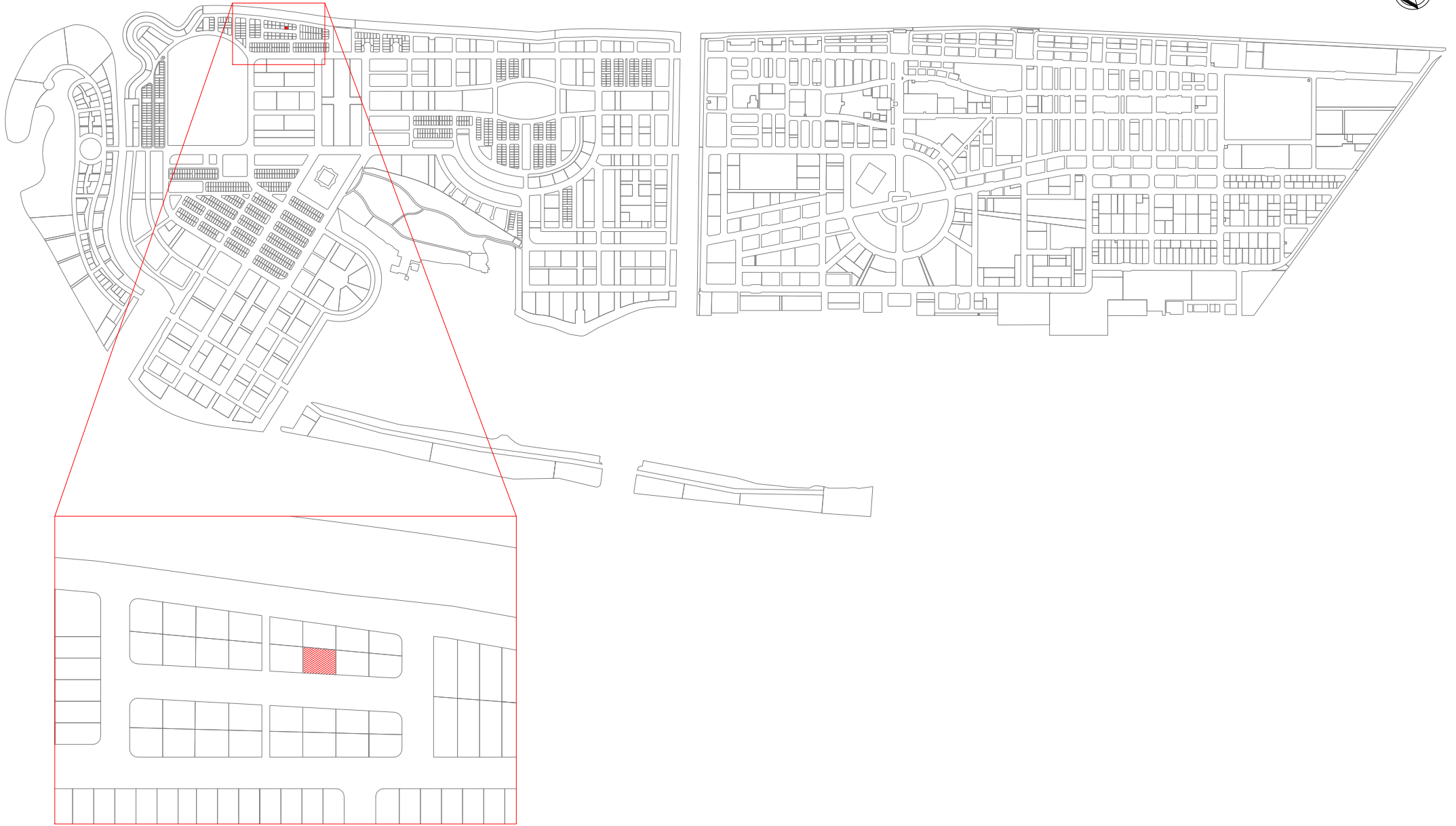
Drawn by: Thorif Ibrahim

Checked by: Muhammed Ibrahim

Date: 16th October 2022

Remarks:





PROJECT: LOT 21699

Scale: N.T.S

Drawn by: Thorif Ibrahim

Checked by: Muhammed Ibrahim

Date: 17th October 2022

DRAWING: LOCATION MAP

Remarks:



E 339092.418
N 467991.514

LOT 21691

E 339087.908
N 467979.765

LOT 21700

10.10M

12.58M

LOT 21699
AREA= 123.70 SQM
(1,331.51 SQFT)

9.64M

LOT 21698

E 339082.703
N 467994.263

12.55M

ROAD

E 339078.628
N 467982.392



PLANNING AND DEVELOPMENT DEPARTMENT
3RD FLOOR, HDC BUILDING HULHUMALE'
REPUBLIC OF MALDIVES
TEL. +(960)3353535, FAX +(960)3358892
EMAIL : planning@hdc.com.mv

PROJECT: LOT 21699

DRAWING: PLOT MAP

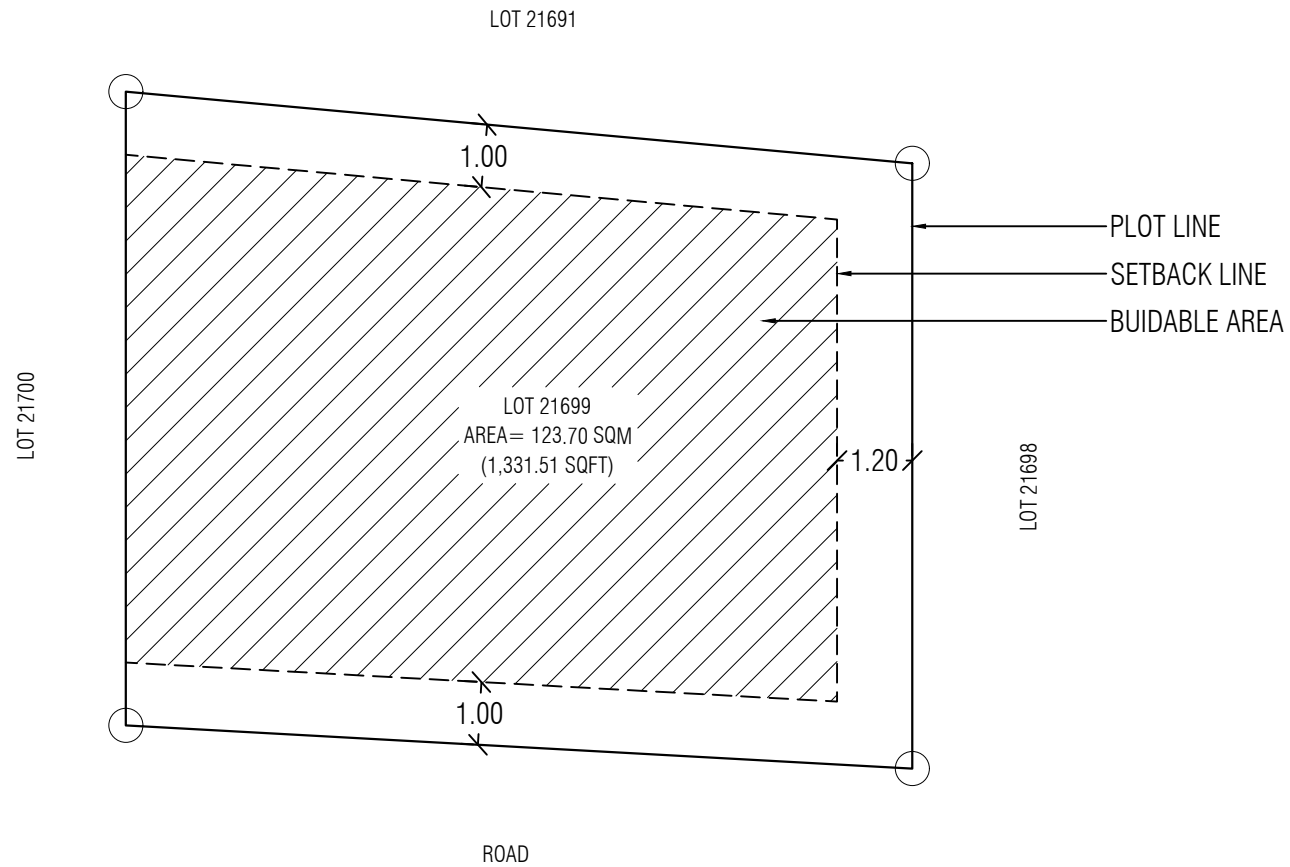
Scale: N.T.S

Drawn by: Thorif Ibrahim

Checked by: Muhammed Ibrahim

Date: 17th October 2022

Remarks:



PROJECT: LOT 21699

Scale: N.T.S

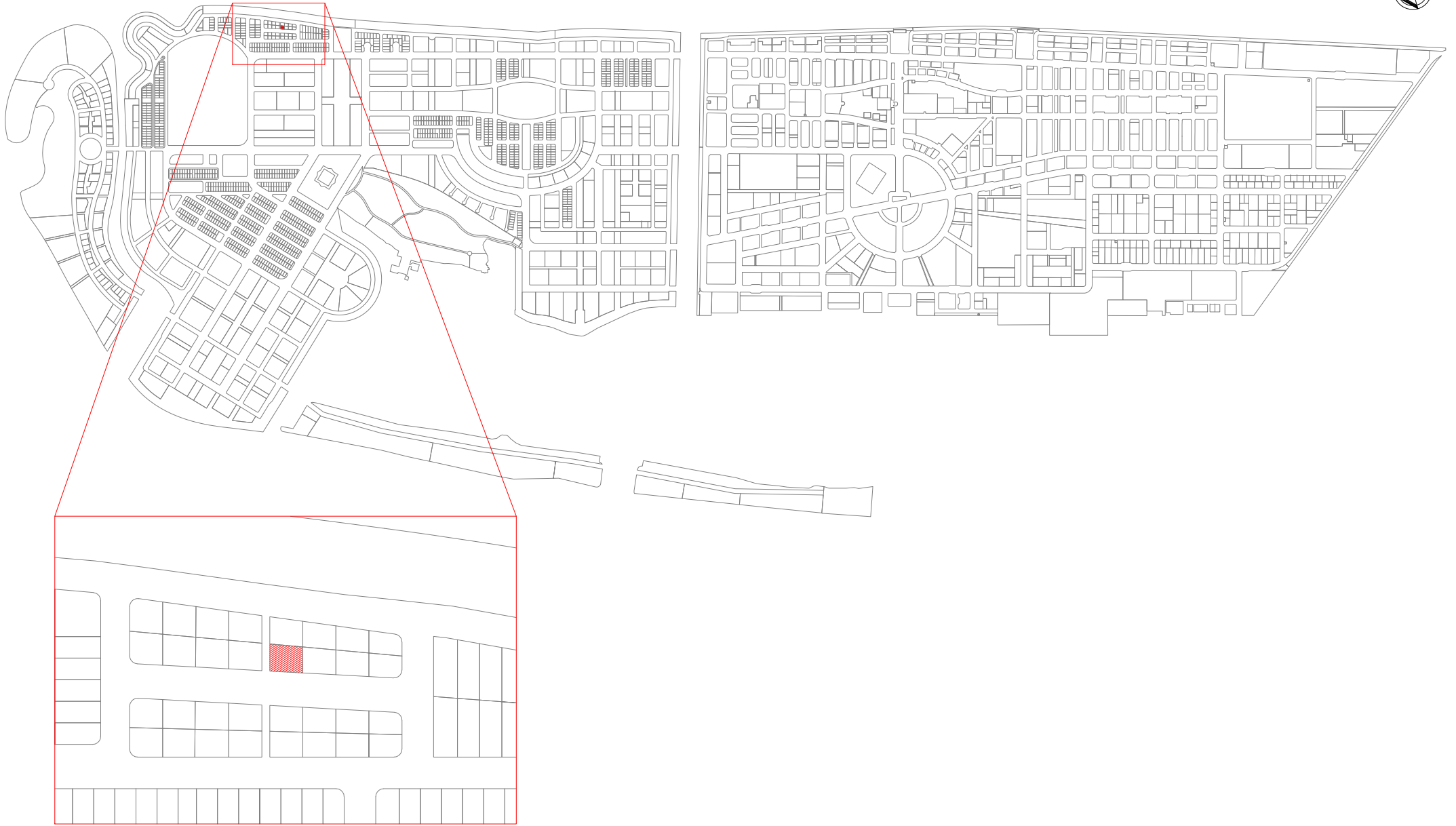
Drawn by: Ziya Zaki

Checked by: Shahid Ahmed Waheed

Date: 18th October 2022

DRAWING: SETBACK PLAN

Remarks:



PROJECT: LOT 21700

Scale: N.T.S

Drawn by: Thorif Ibrahim

Checked by: Muhammed Ibrahim

Date: 17th October 2022

DRAWING: LOCATION MAP

Remarks:



E 339096.928
N 468003.262

LOT 21692

E 339092.418
N 467991.514

PEDESTRIAN WALKWAY

10.55M

12.58M

LOT 21700
AREA= 129.38 SQM
(1,392.59 SQFT)

10.10M

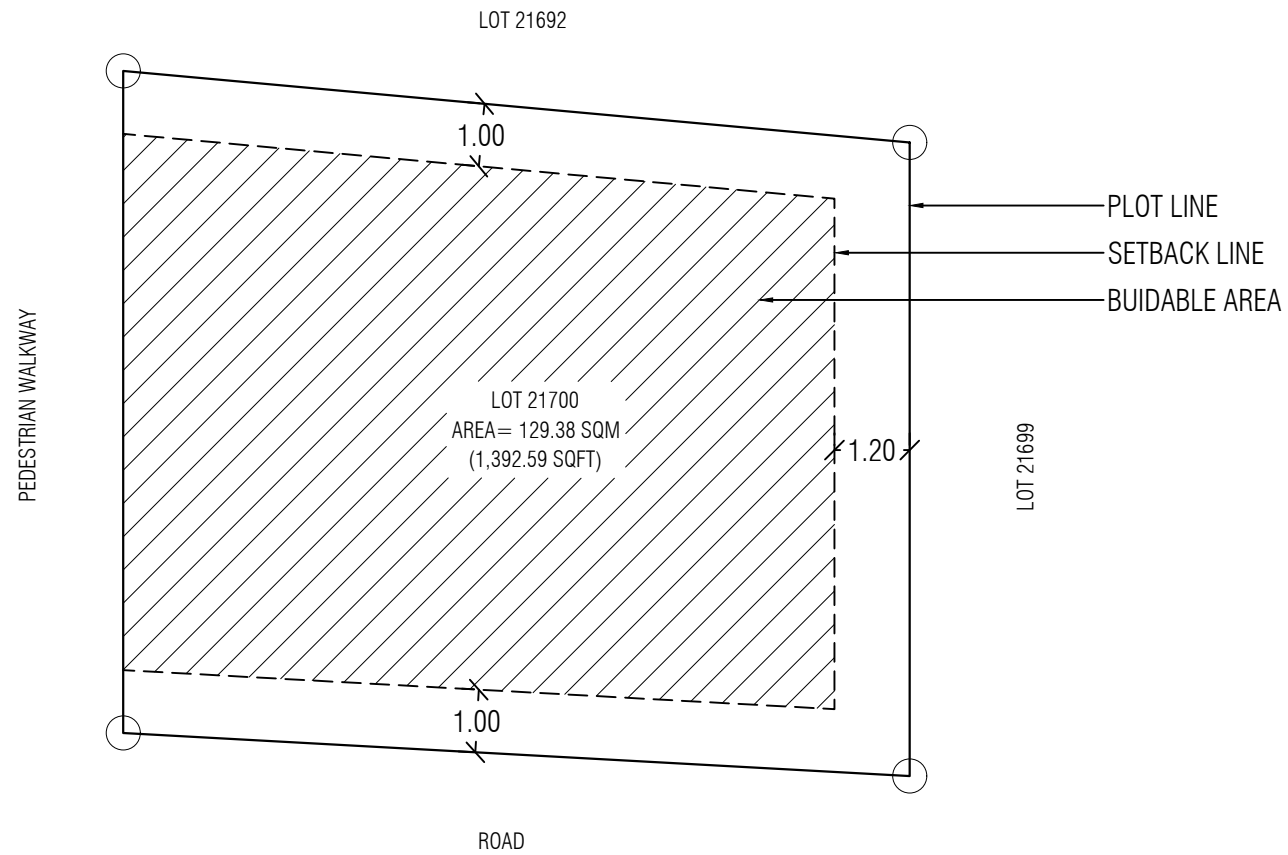
LOT 21699

E 339086.777
N 468006.135

12.55M

ROAD

E 339082.703
N 467994.263



PROJECT: LOT 21700

Scale: N.T.S

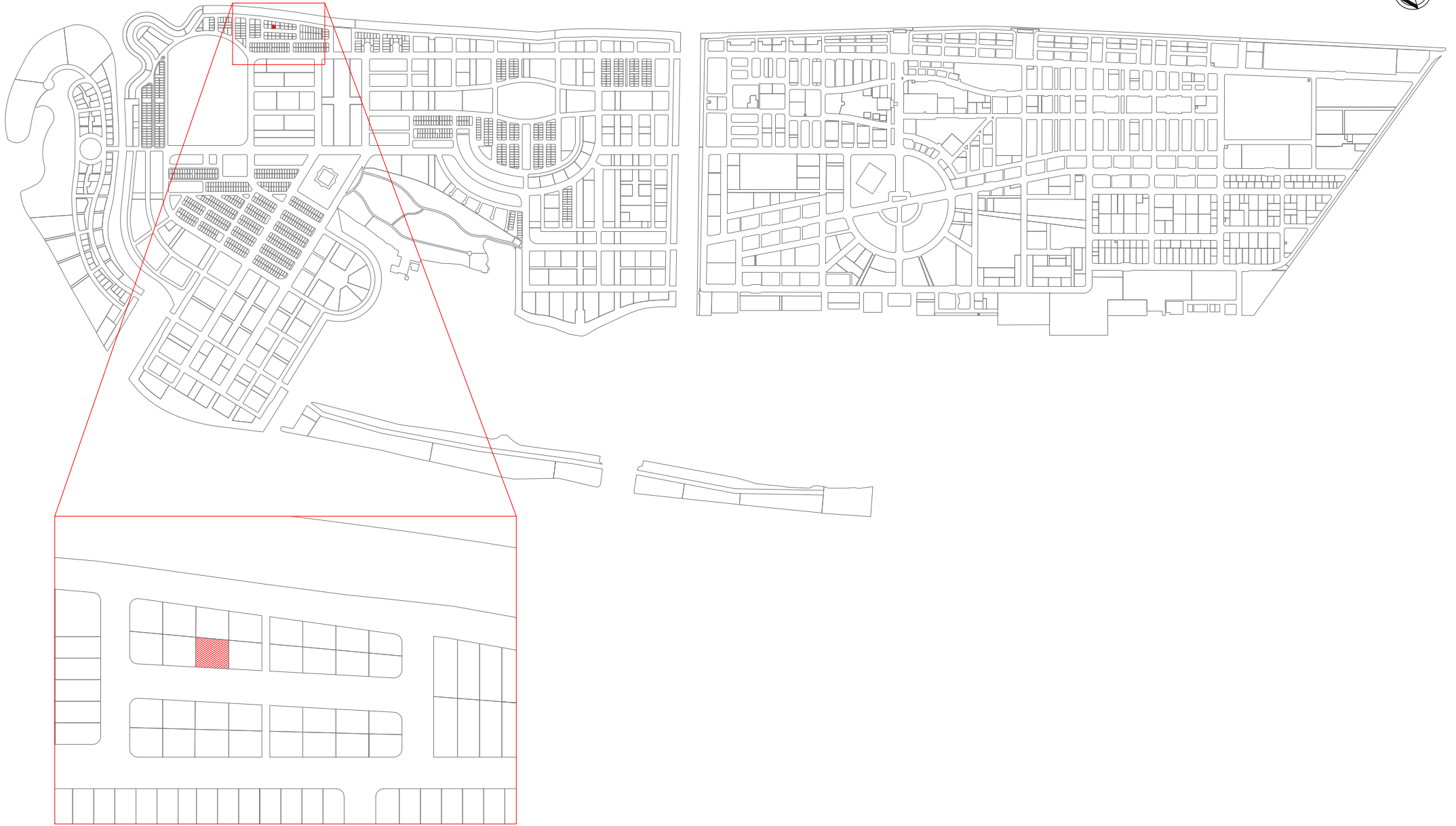
Drawn by: Ziya Zaki

Checked by: Shahid Ahmed Waheed

Date: 18th October 2022

DRAWING: SETBACK PLAN

Remarks:



PROJECT: LOT 21702

Scale: N.T.S

Drawn by: Thorif Ibrahim

Checked by: Muhammed Ibrahim

Date: 17th October 2022

DRAWING: LOCATION MAP

Remarks:



E 339107.029
N 468029.573

LOT 21694

E 339102.518
N 468017.822

LOT 21703

11.56M

12.59M

LOT 21702
AREA= 142.64 SQM
(1,535.37 SQFT)

11.11M

LOT 21701

E 339095.932
N 468032.808

12.65M

ROAD

E 339091.827
N 468020.848



PLANNING AND DEVELOPMENT DEPARTMENT
3RD FLOOR, HDC BUILDING HULHUMALE
REPUBLIC OF MALDIVES
TEL. +(960)3353535, FAX +(960)3358892
EMAIL : planning@hdc.com.mv

PROJECT: LOT 21702

DRAWING: PLOT MAP

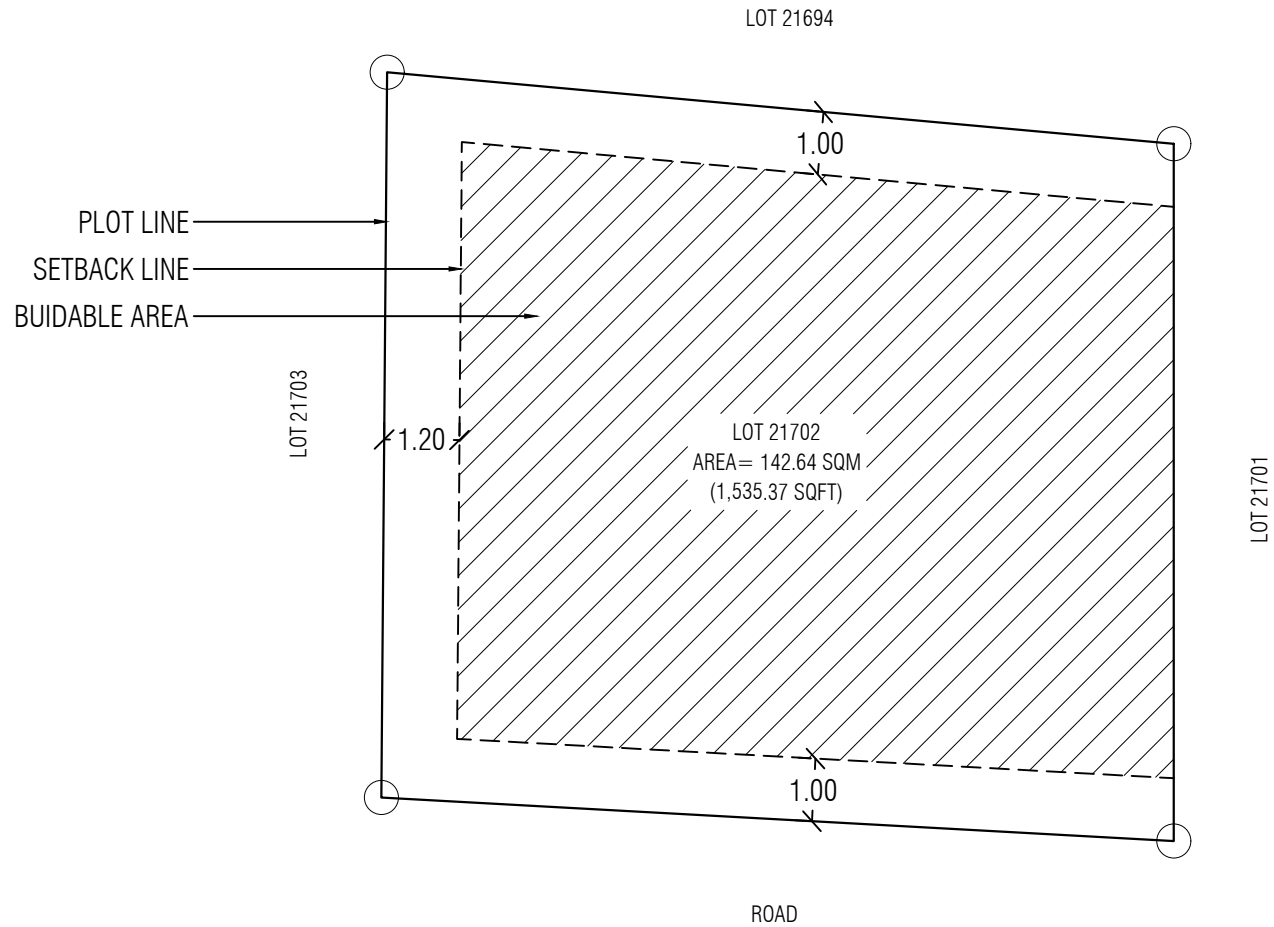
Scale: N.T.S

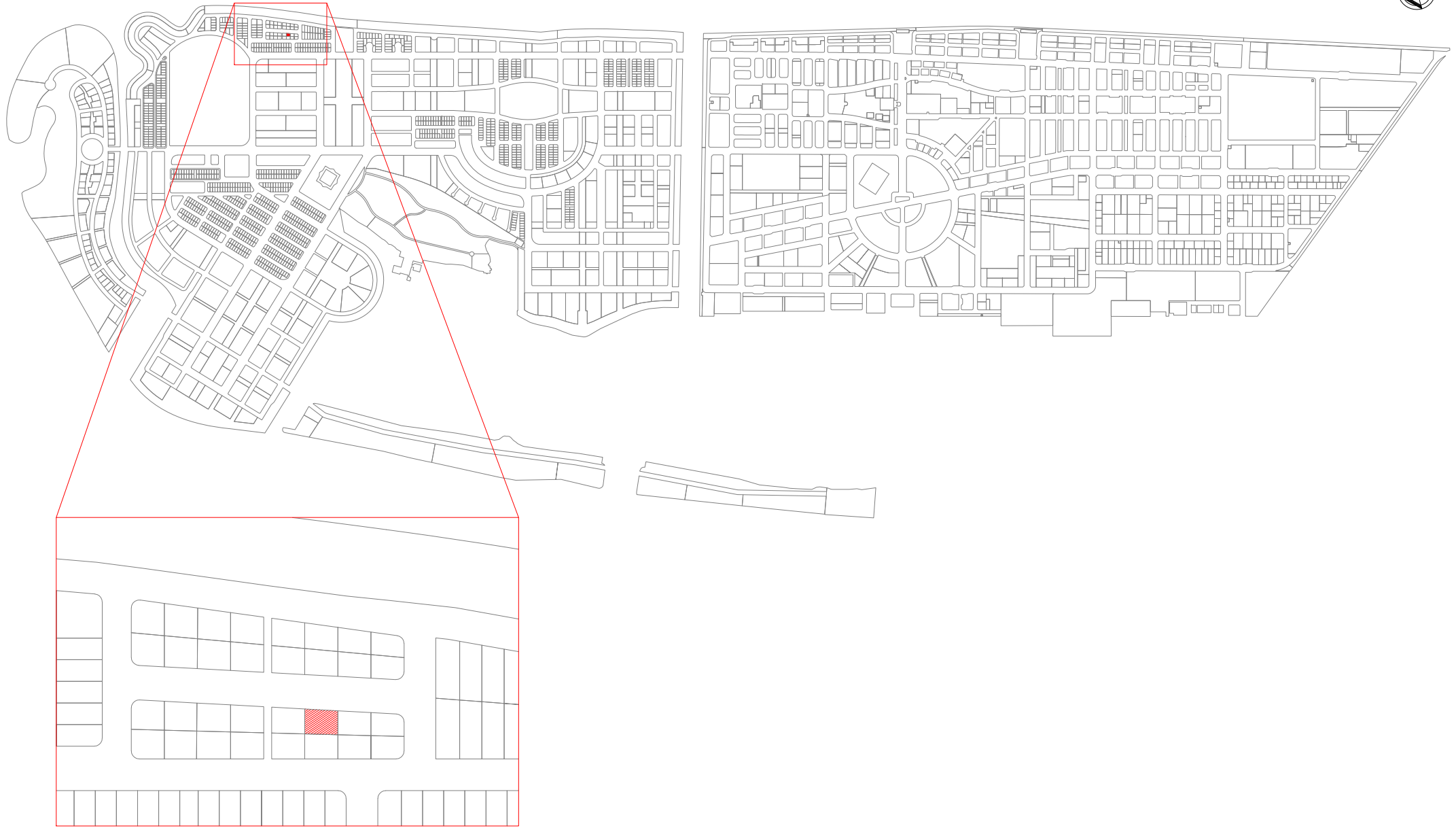
Drawn by: Thorif Ibrahim

Checked by: Muhammed Ibrahim

Date: 17th October 2022

Remarks:





PROJECT: LOT 21707

Scale: N.T.S

Drawn by: Thorif Ibrahim

Checked by: Muhammed Ibrahim

Date: 17th October 2022

DRAWING: LOCATION MAP

Remarks:



E 339071.242
N 467997.506

ROAD

E 339067.168
N 467985.635

12.55M

LOT 21708

9.66M

LOT 21707
AREA= 118.84 SQM
(1,279.21 SQFT)

9.30M

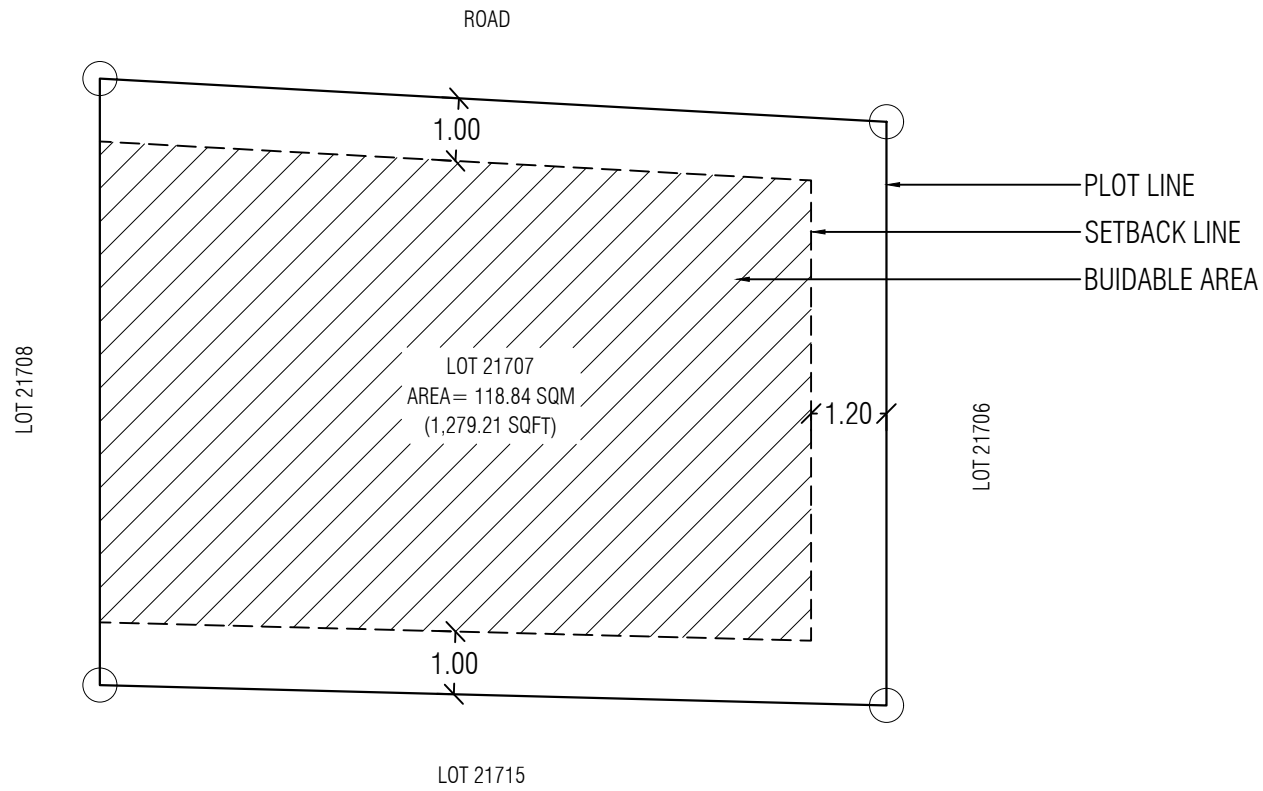
LOT 21706

E 339061.943
N 468000.138

12.54M

E 339058.219
N 467988.167

LOT 21715



PROJECT: LOT 21707

Scale: N.T.S

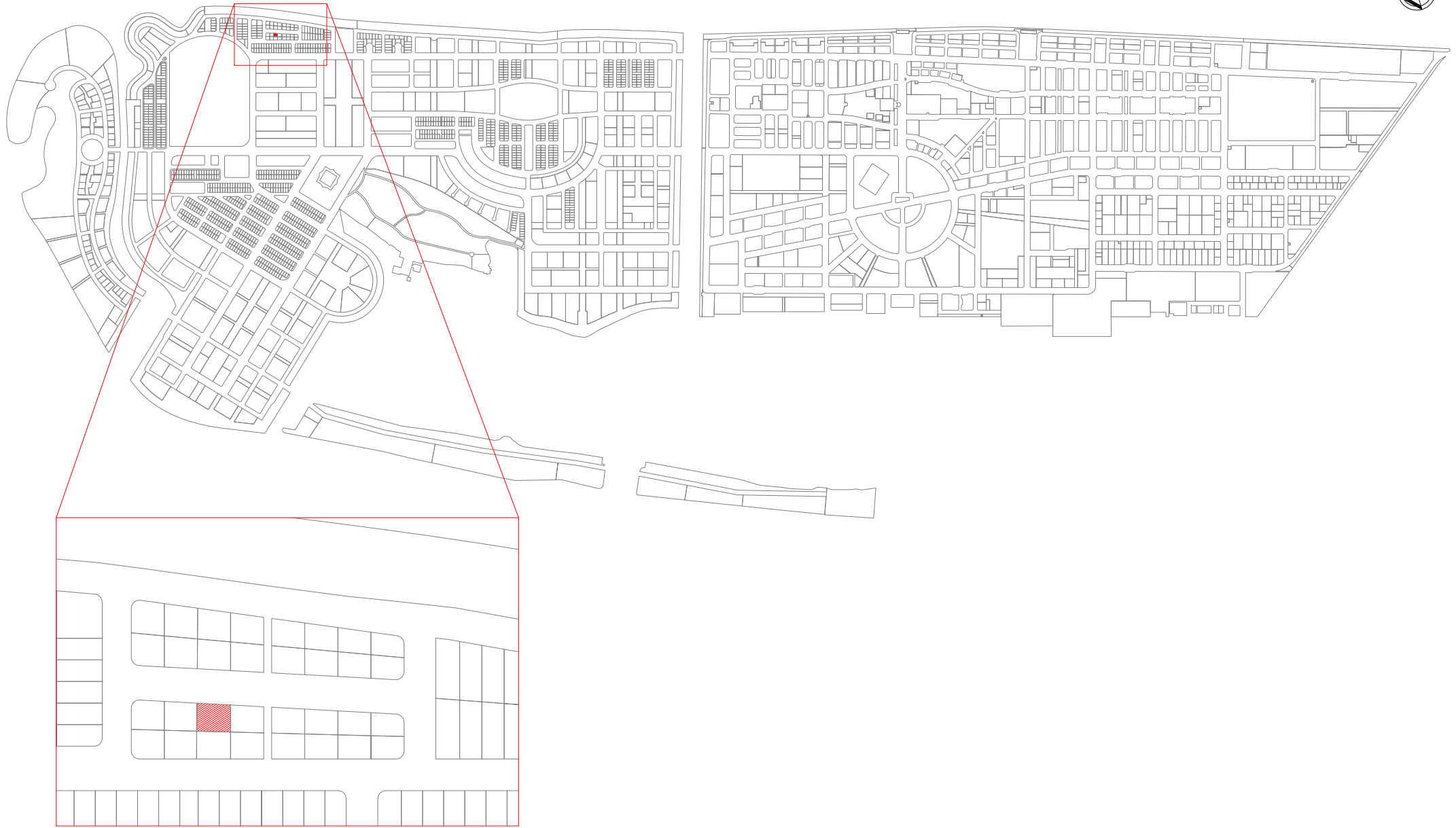
Drawn by: Ziya Zaki

Checked by: Shahid Ahmed Waheed

Date: 18th October 2022

DRAWING: SETBACK PLAN

Remarks:



PROJECT: LOT 21710

Scale: N.T.S

Drawn by: Thorif Ibrahim

Checked by: Muhammed Ibrahim

Date: 17th October 2022

DRAWING: LOCATION MAP

Remarks:



E 339084.505
N 468036.149

ROAD

E 339080.367
N 468024.091

12.75M

LOT 21711

10.85M

LOT 21710
AREA= 136.24 SQM
(1,466.53 SQFT)

10.48M

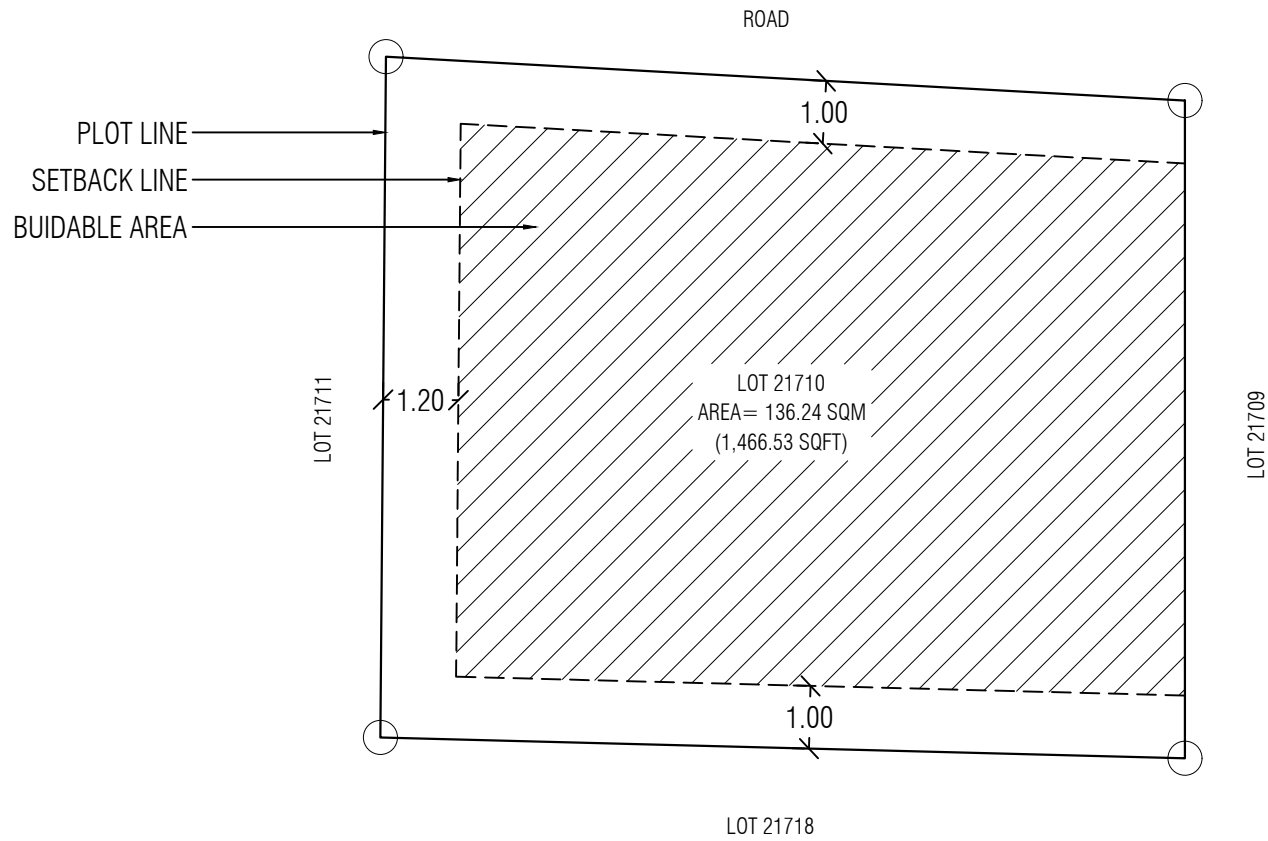
LOT 21709

E 339074.092
N 468039.189

12.82M

E 339070.283
N 468026.944

LOT 21718



PROJECT: LOT 21710

Scale: N.T.S

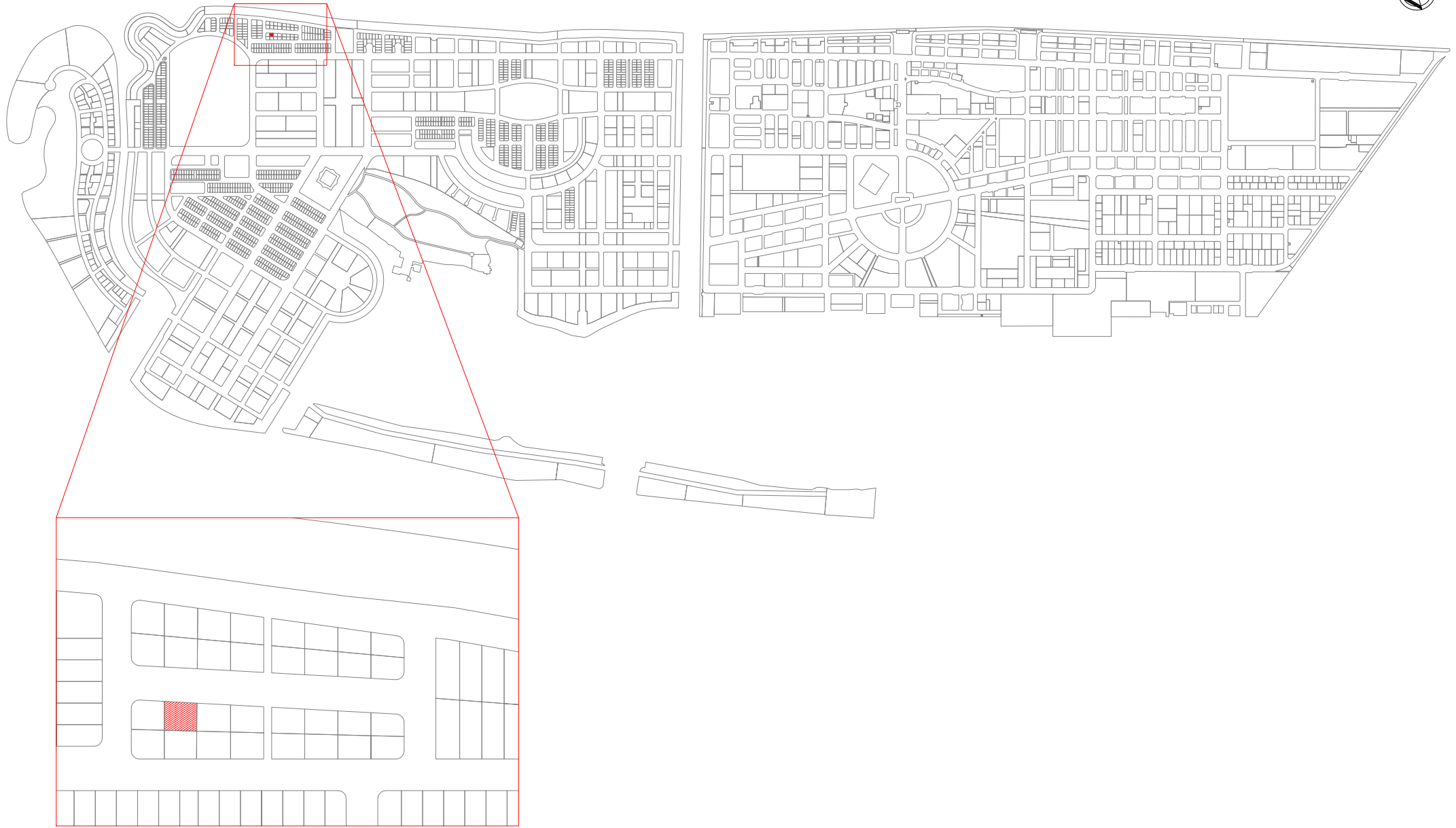
Drawn by: Ziya Zaki

Checked by: Shahid Ahmed Waheed

Date: 18th October 2022

DRAWING: SETBACK PLAN

Remarks:



PROJECT: LOT 21711

Scale: N.T.S

Drawn by: Thorif Ibrahim

Checked by: Muhammed Ibrahim

Date: 17th October 2022

DRAWING: LOCATION MAP

Remarks:



E 339088.515
N 468047.834

ROAD

E 339084.505
N 468036.149

12.35M

LOT 21712

11.21M

LOT 21711
AREA= 135.55 SQM
(1,459.07 SQFT)

10.85M

LOT 21710

E 339077.731
N 468050.886

12.25M

E 339074.092
N 468039.189

LOT 21719



PLANNING AND DEVELOPMENT DEPARTMENT
3RD FLOOR, HDC BUILDING HULHUMALE
REPUBLIC OF MALDIVES
TEL. +(960)3353535, FAX +(960)3358892
EMAIL : planning@hdc.com.mv

PROJECT: LOT 21711

DRAWING: PLOT MAP

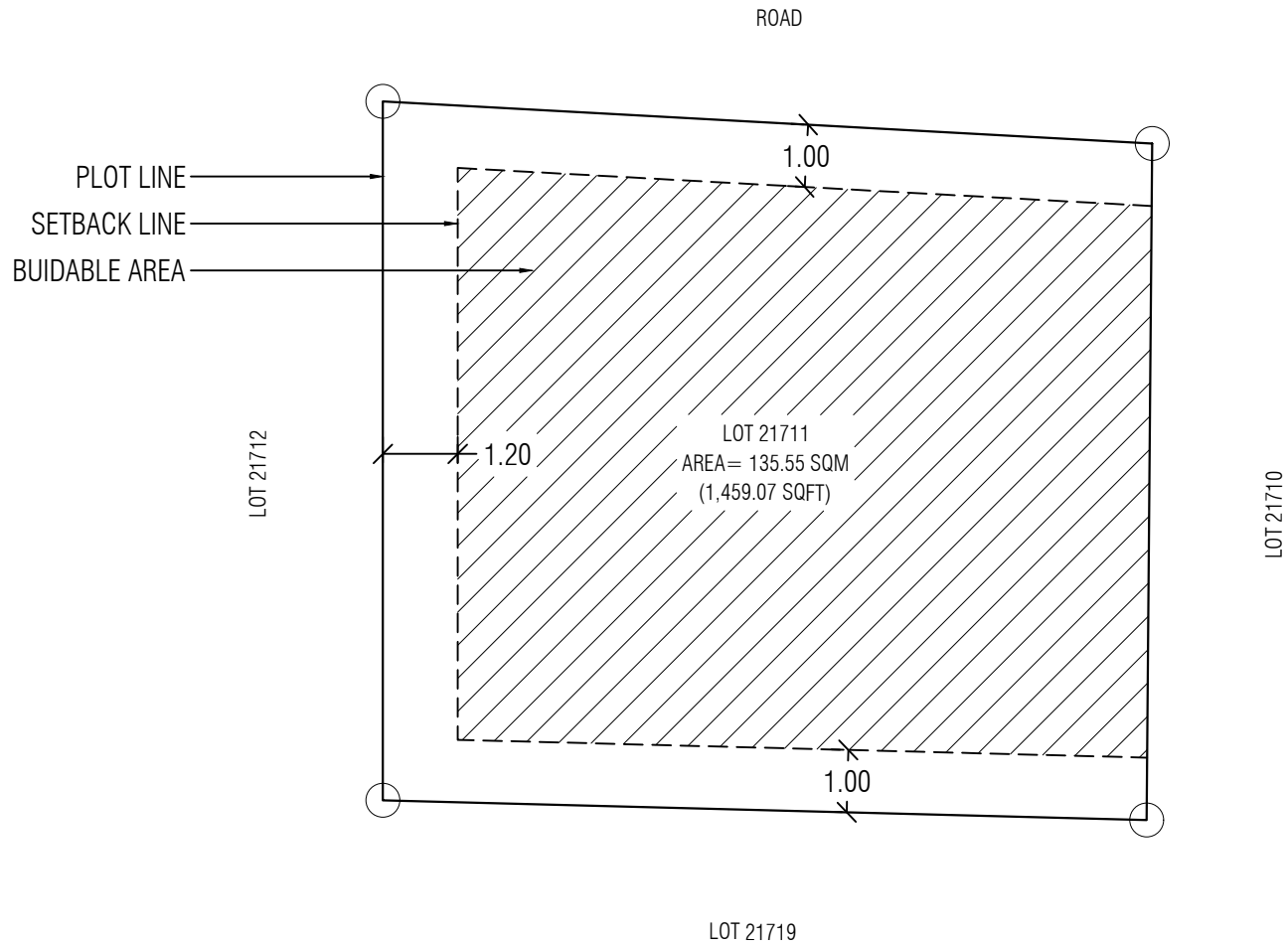
Scale: N.T.S

Drawn by: Thorif Ibrahim

Checked by: Muhammed Ibrahim

Date: 17th October 2022

Remarks:



PROJECT: LOT 21711

Scale: N.T.S

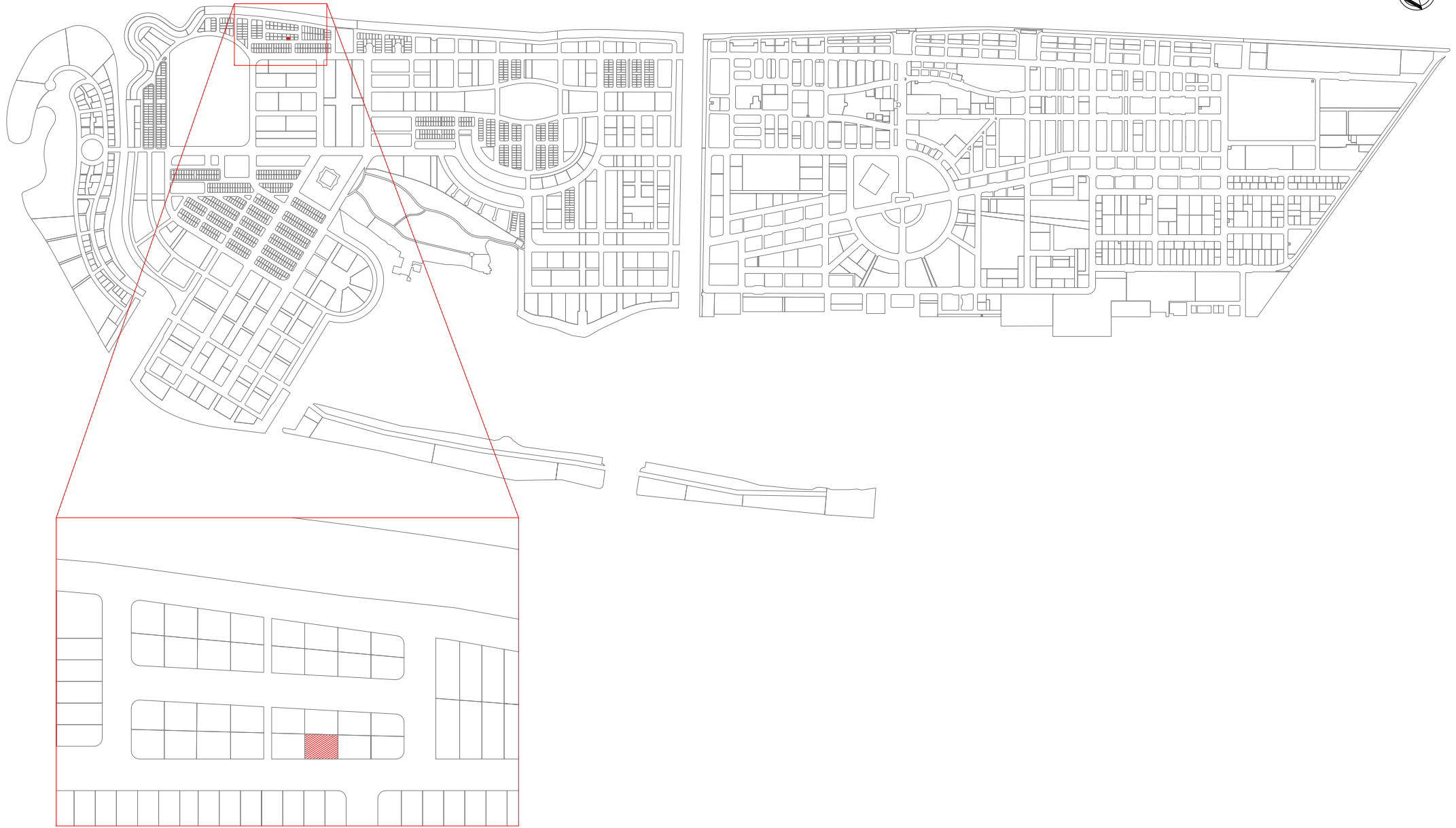
Drawn by: Ziya Zaki

Checked by: Shahid Ahmed Waheed

Date: 18th October 2022

DRAWING: SETBACK PLAN

Remarks:



PROJECT: LOT 21715

Scale: N.T.S

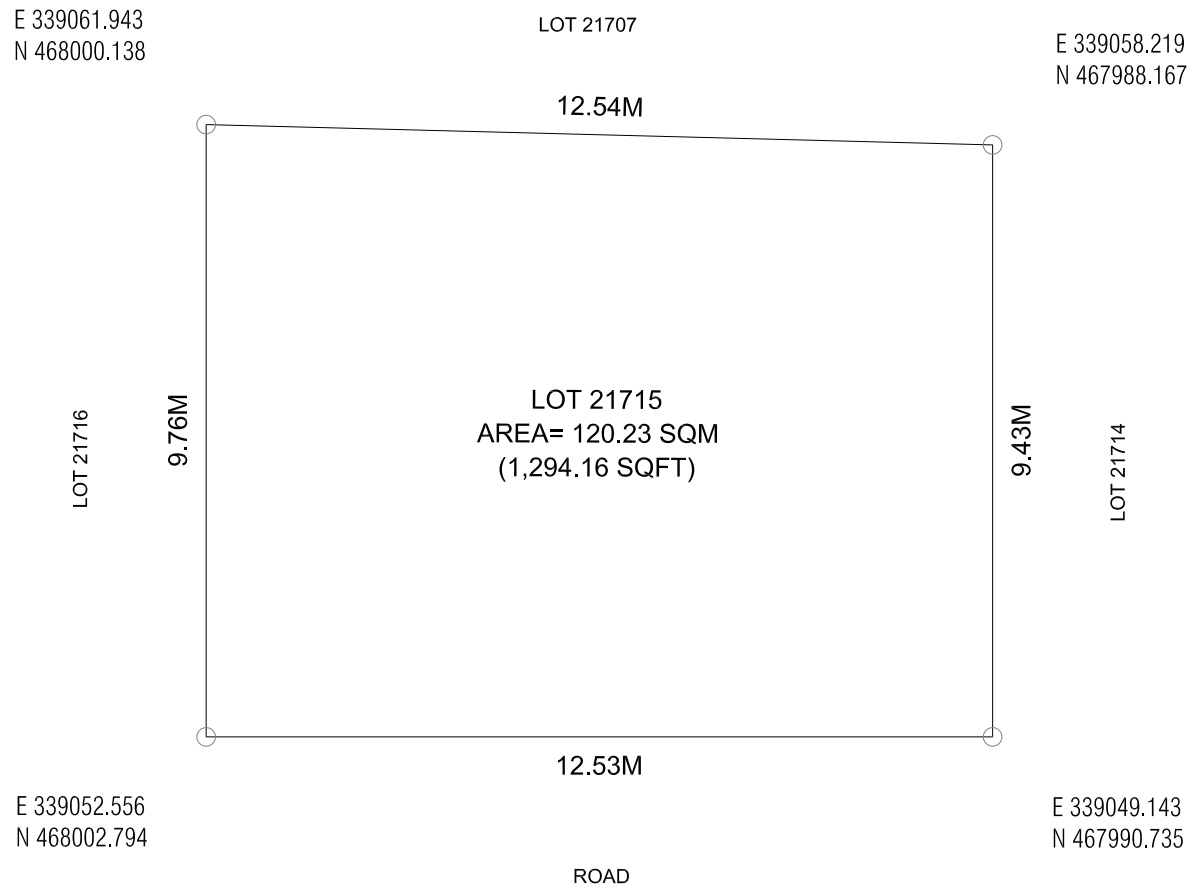
Drawn by: Thorif Ibrahim

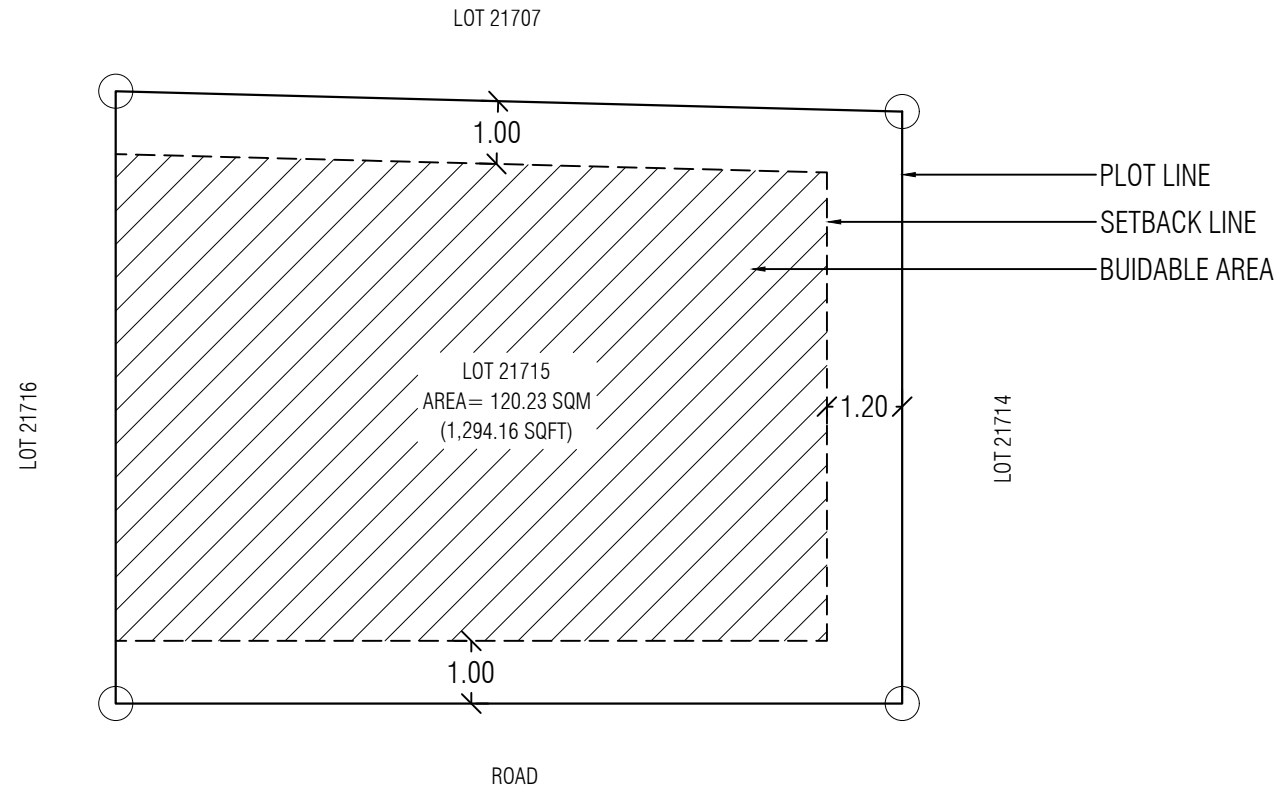
Checked by: Muhammed Ibrahim

Date: 17th October 2022

DRAWING: LOCATION MAP

Remarks:





PROJECT: LOT 21715

Scale: N.T.S

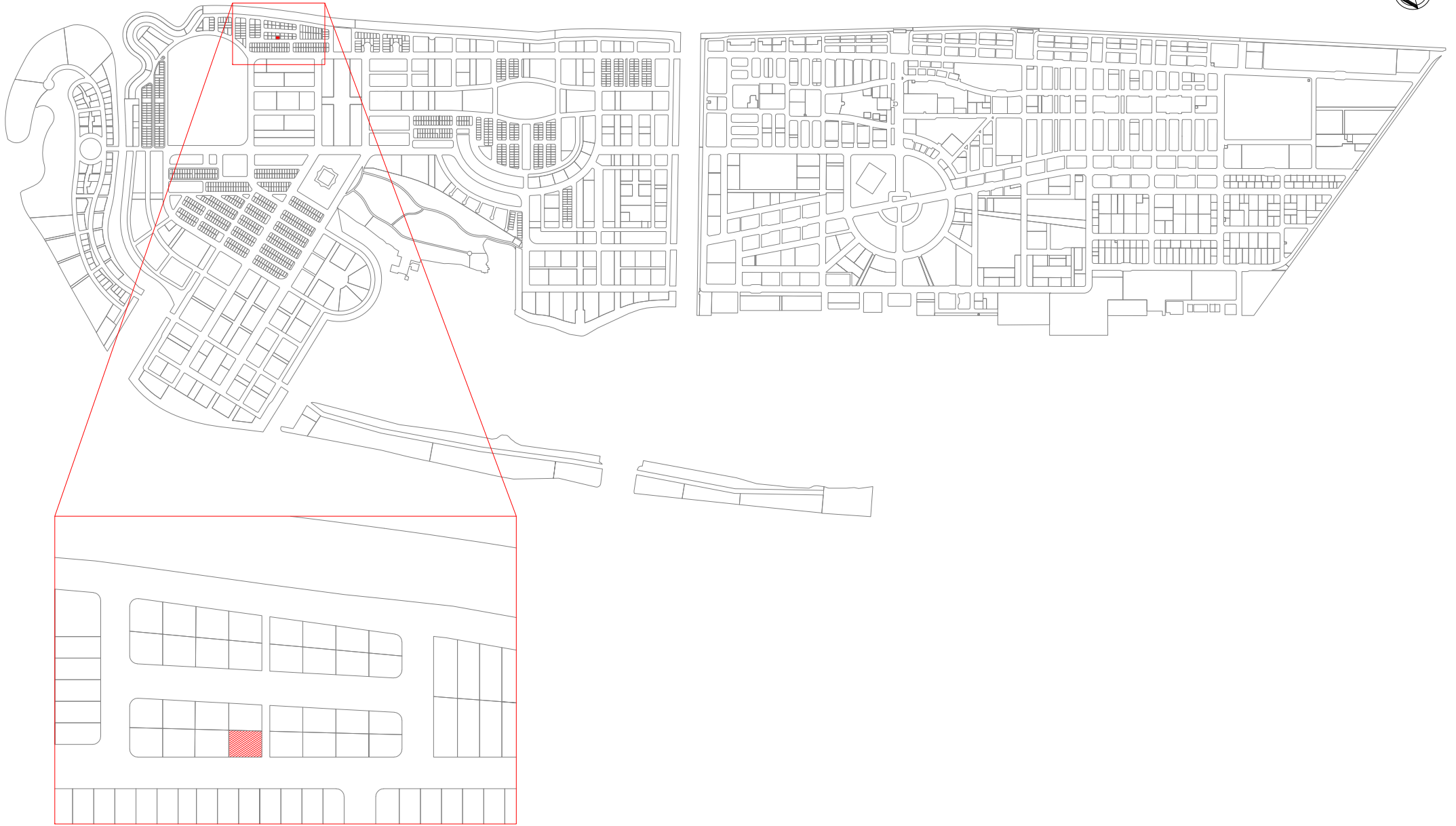
Drawn by: Ziya Zaki

Checked by: Shahid Ahmed Waheed

Date: 18th October 2022

DRAWING: SETBACK PLAN

Remarks:



PROJECT: LOT 21717

Scale: N.T.S

Drawn by: Thorif Ibrahim

Checked by: Muhammed Ibrahim

Date: 17th October 2022

DRAWING: LOCATION MAP

Remarks:



E 339070.283
N 468026.944

LOT 21709

E 339066.558
N 468014.974

12.54M

LOT 21718

10.48M

LOT 21717
AREA= 129.32 SQM
(1,392.03 SQFT)

10.16M

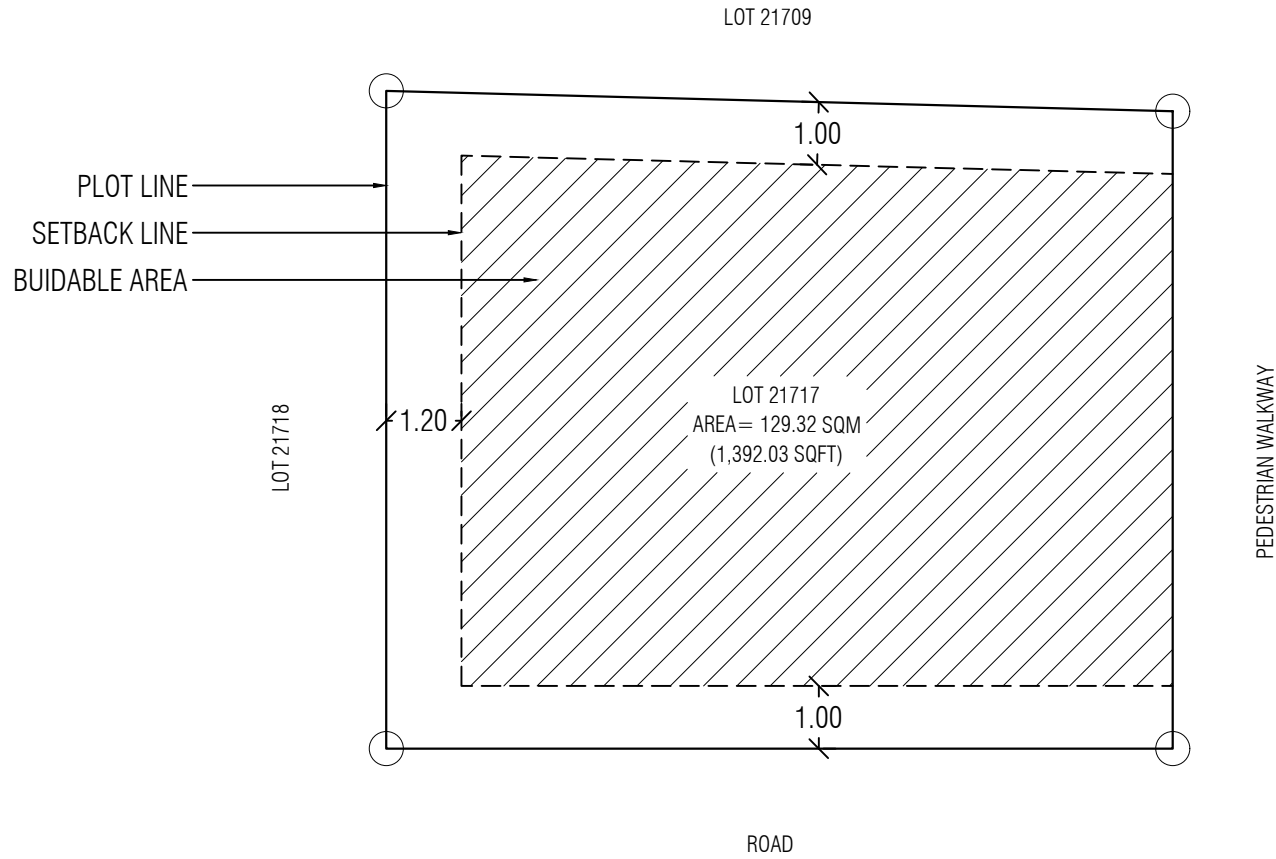
PEDESTRIAN WALKWAY

E 339060.198
N 468029.798

12.53M

E 339056.785
N 468017.740

ROAD



PROJECT: LOT 21717

Scale: N.T.S

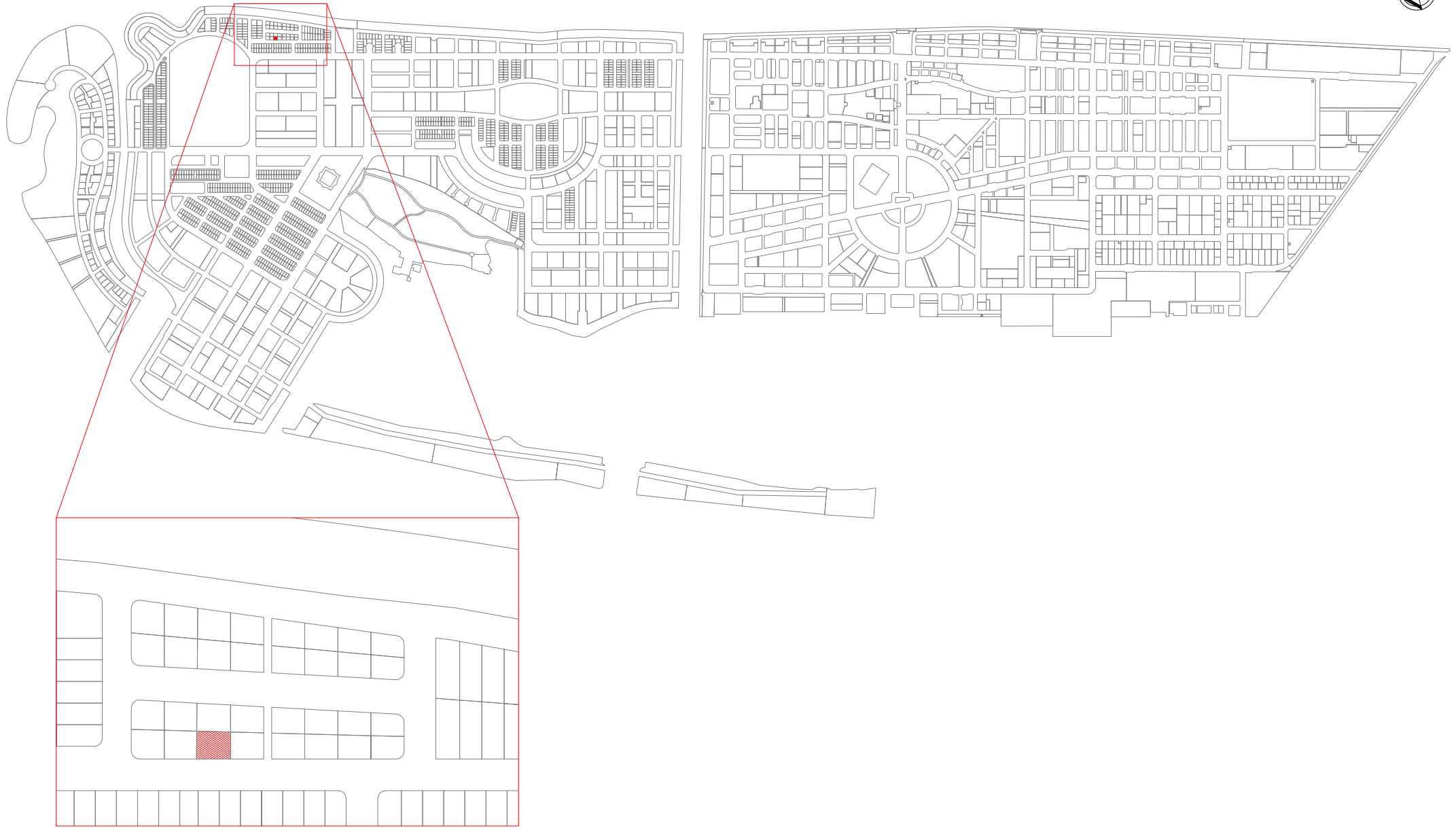
Drawn by: Ziya Zaki

Checked by: Shahid Ahmed Waheed

Date: 18th October 2022

DRAWING: SETBACK PLAN

Remarks:



PROJECT: LOT 21718

Scale: N.T.S

Drawn by: Thorif Ibrahim

Checked by: Muhammed Ibrahim

Date: 17th October 2022

DRAWING: LOCATION MAP

Remarks:



E 339074.092
N 468039.189

LOT 21710

E 339070.283
N 468026.944

12.82M

LOT 21719

10.81M

LOT 21718
AREA= 136.97 SQM
(1,474.37 SQFT)

10.48M

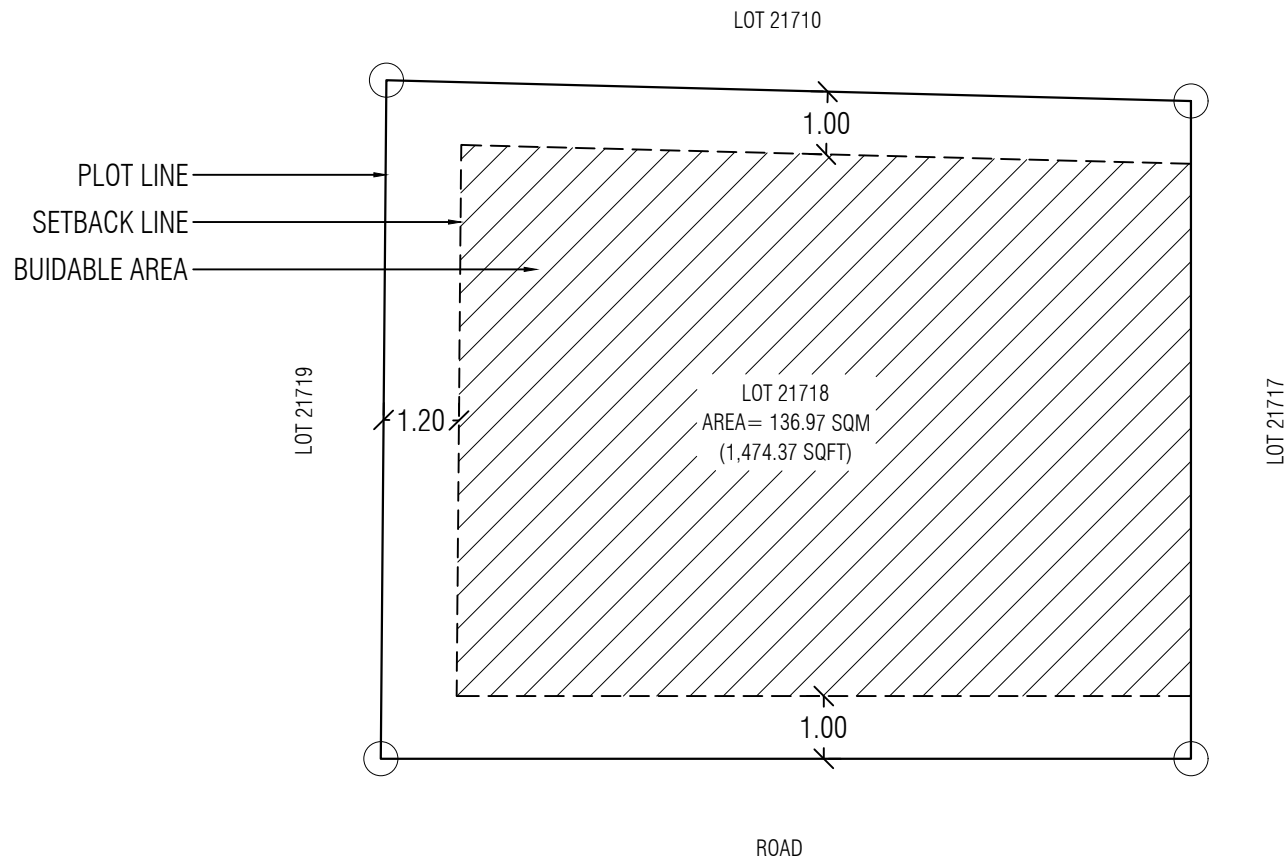
LOT 21717

E 339063.713
N 468042.220

12.91M

E 339060.198
N 468029.798

ROAD



PROJECT: LOT 21718

Scale: N.T.S

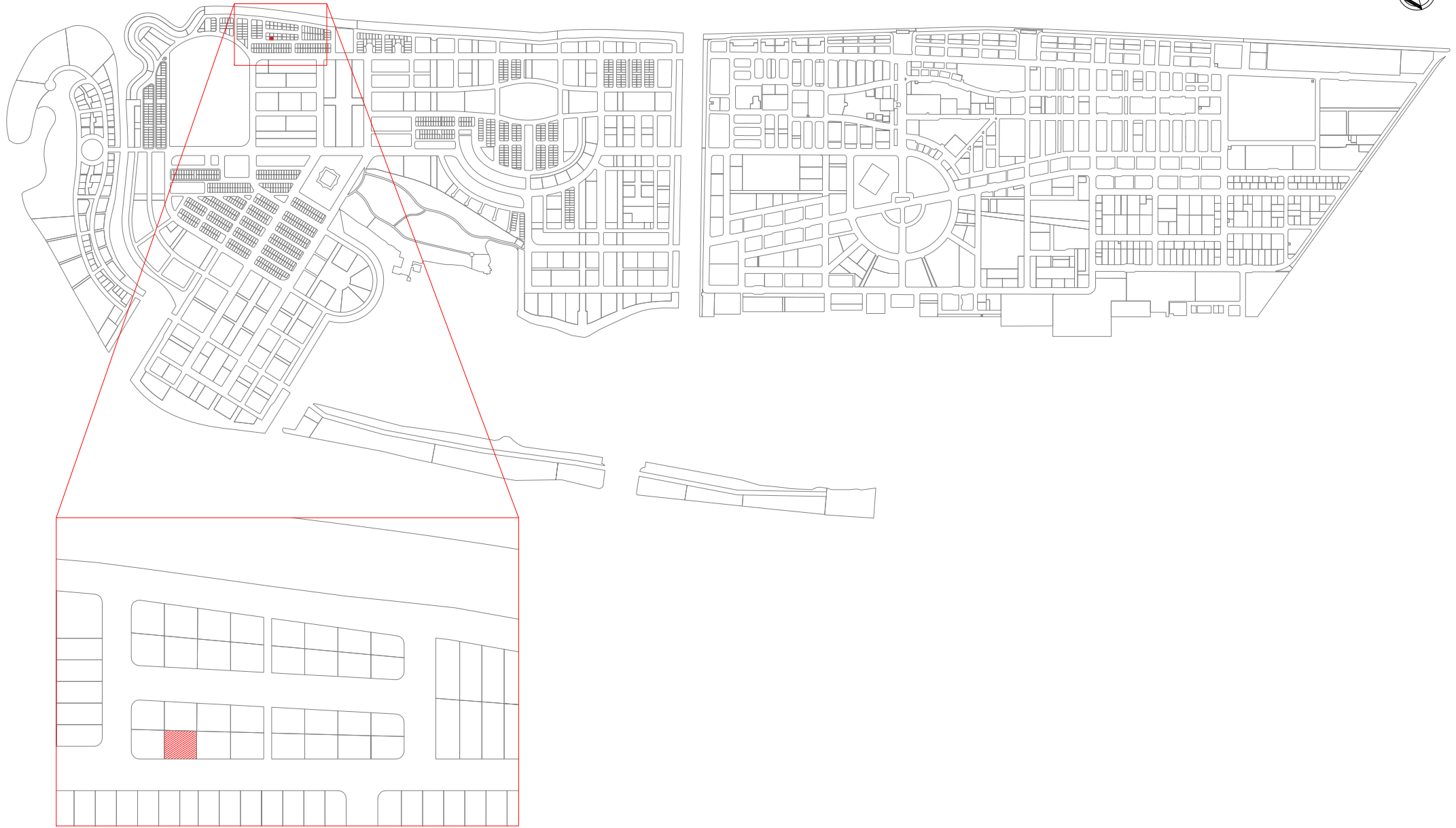
Drawn by: Ziya Zaki

Checked by: Shahid Ahmed Waheed

Date: 18th October 2022

DRAWING: SETBACK PLAN

Remarks:



PROJECT: LOT 21719

Scale: N.T.S

Drawn by: Thorif Ibrahim

Checked by: Muhammed Ibrahim

Date: 17th October 2022

DRAWING: LOCATION MAP

Remarks:



E 339077.731
N 468050.886

LOT 21711

E 339074.092
N 468039.189

12.25M

LOT 21720

11.13M

LOT 21719
AREA= 133.86 SQM
(1,440.80 SQFT)

10.81M

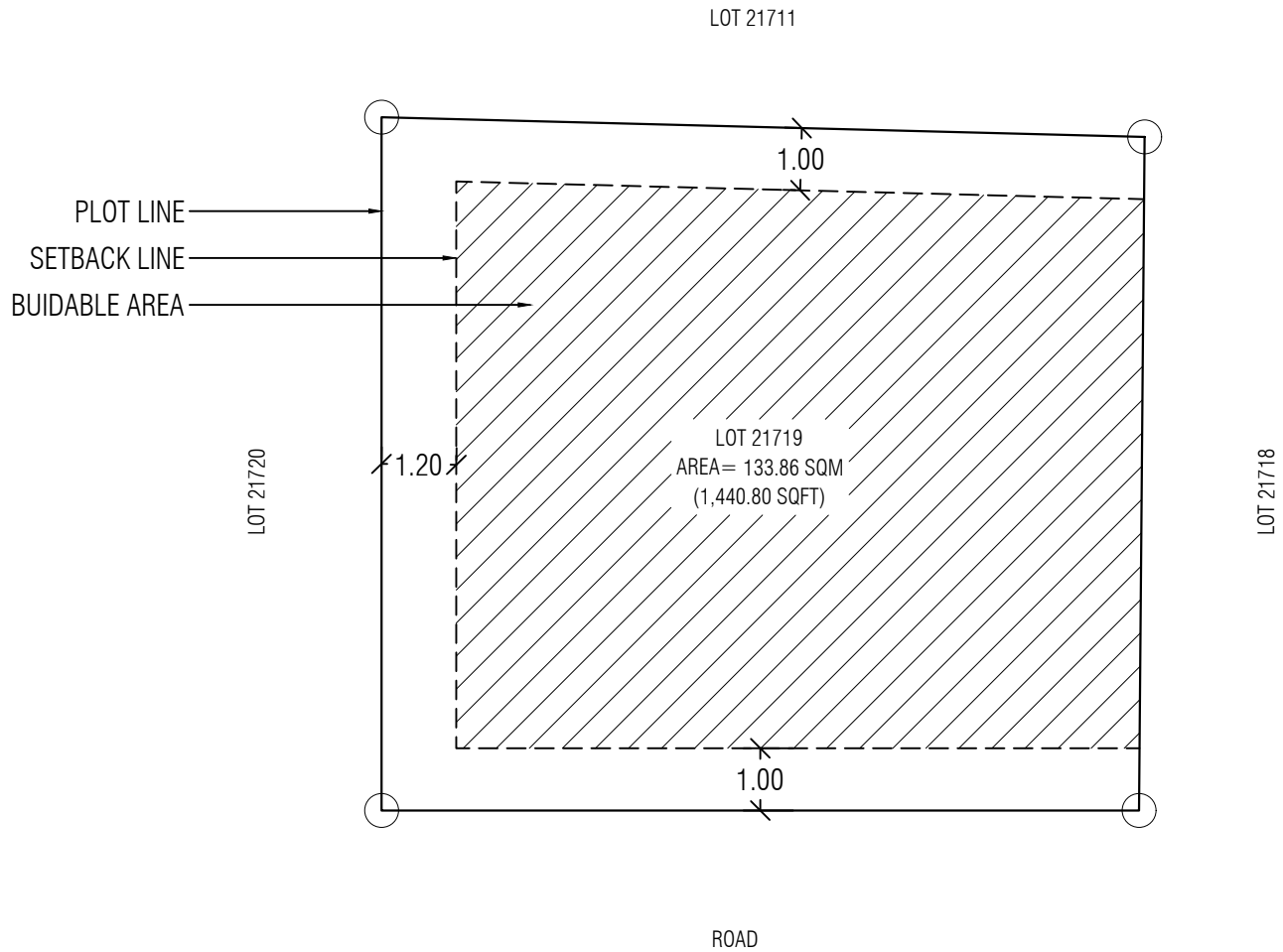
LOT 21718

E 339067.022
N 468053.916

12.16M

E 339063.713
N 468042.220

ROAD



PROJECT: LOT 21719

Scale: N.T.S

Drawn by: Ziya Zaki

Checked by: Shahid Ahmed Waheed

Date: 18th October 2022

DRAWING: SETBACK PLAN

Remarks: