

PROJECT: LOT 21742 (GH-11) DRAWING: LOCATION MAP

Scale: N.T.S Date: 27th November 2022



Checked by: Mohamed Ibrahim

Drawn by: Thorif Ibrahim

Remarks:



LEGEND:  
 \* PROPOSED

PROJECT: LOT 21742 (GH-11)

Scale: N.T.S

Drawn by: Shadheen

Checked by: 

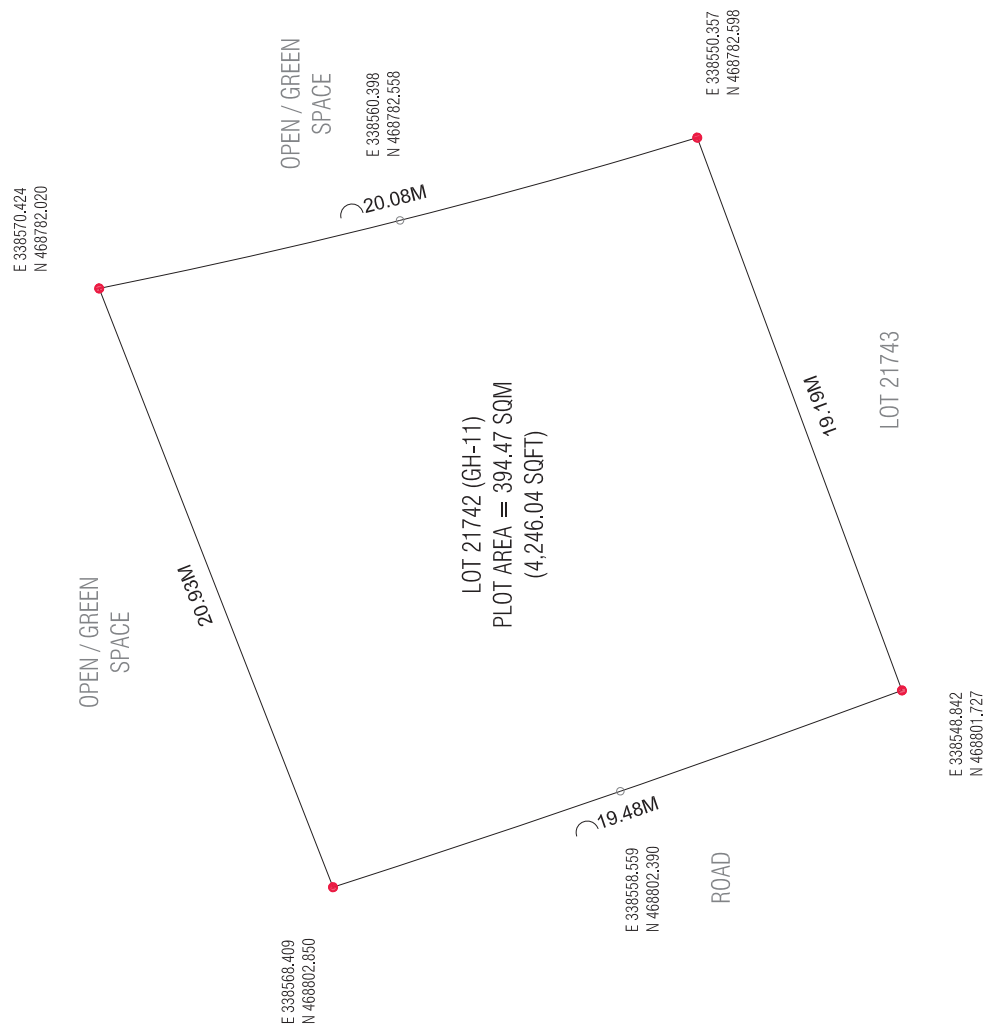
Date: 5th November 2022

Remarks:

DRAWING: SITE CONTEXT PLAN



HOUSING  
 DEVELOPMENT  
 CORPORATION  
 PLANNING AND DEVELOPMENT DEPARTMENT  
 3RD FLOOR, HDC BUILDING HULHUALA,  
 REPUBLIC OF MALDIVES  
 TEL: +(960)3358926, FAX: +(960)3358992  
 EMAIL: planning@hdc.com.mv

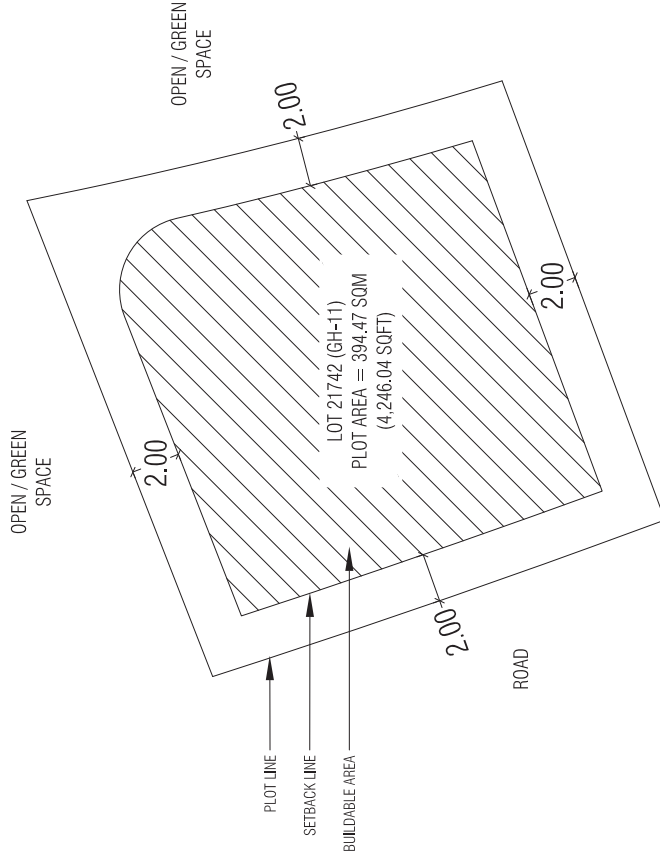


*(Signature)*

PROJECT: LOT 21742 (GH-11)      Drawn by: Thorif Ibrahim      Checked by: Mohamed Ibrahim      Date: 27th November 2022      Remarks:

Scale: N.T.S

DRAWING: PLOT MAP



LOT 21743

Lot Number	Description	Land Use	Plot Area	Foot Print	Gross Floor Area (G.F.A)	Plot Ratio (F.S.I)	Site Coverage	Max Height / Floors
21742	Guest House	Commercial	394.47 SQM 4,246.04 SQFT	276.13 SQM 2,972.22 SQFT	1,794.84 SQM 19,319.46 SQFT	4.6	70%	6 Floors / 22.5 m 18.5 m bldg + 4m Lift Machine Room

PROJECT: LOT 21742 (GH-11) DRAWING: SETBACK PLAN

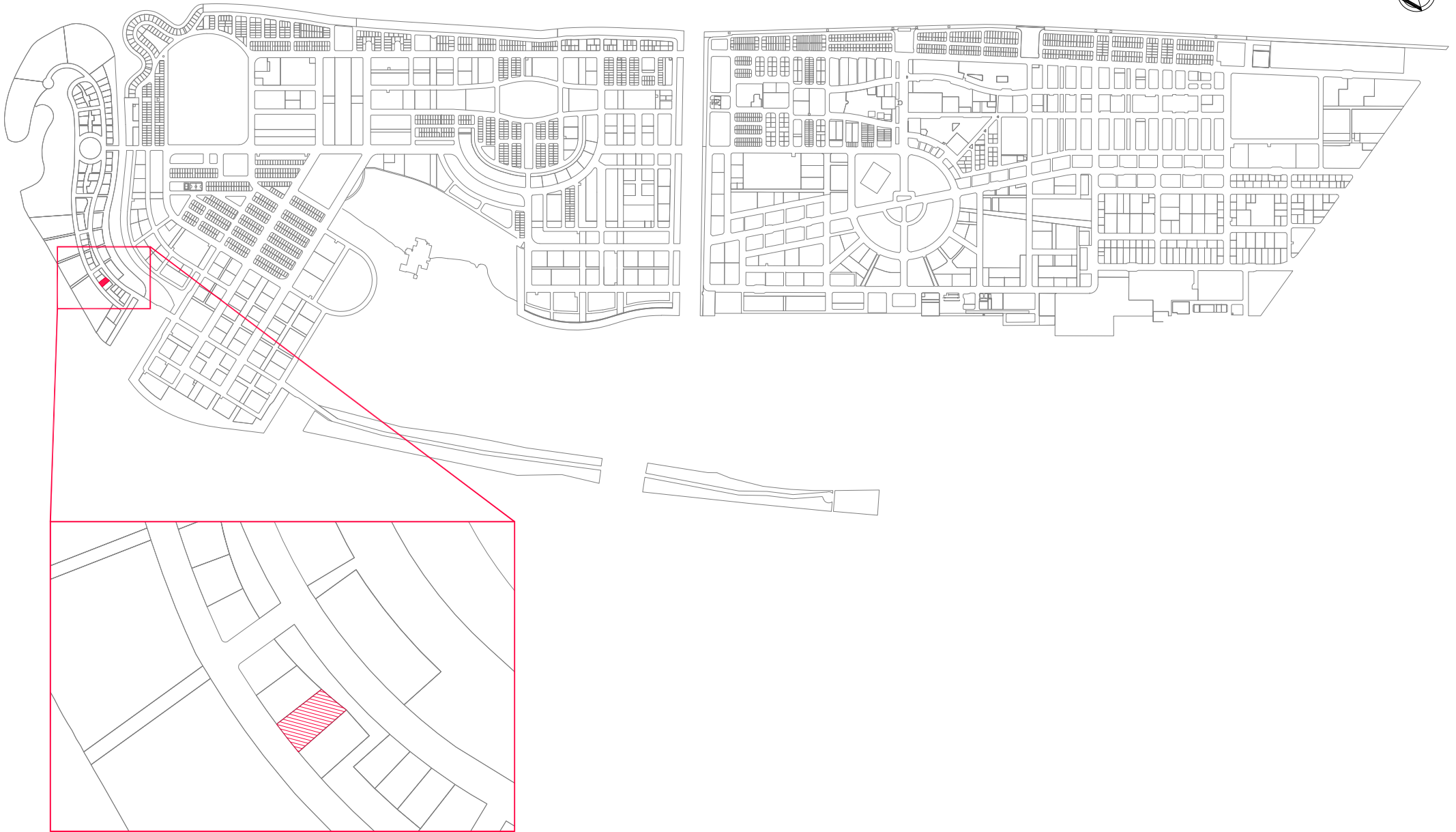
Scale: N.T.S

Drawn by: Mauman

Checked by:

Date: 5th November 2022

Remarks:



PROJECT: LOT 21747 (GH-16)

Scale: N.T.S

Drawn by: Thorif Ibrahim

Checked by: Mohamed Ibrahim

Date: 27th November 2022

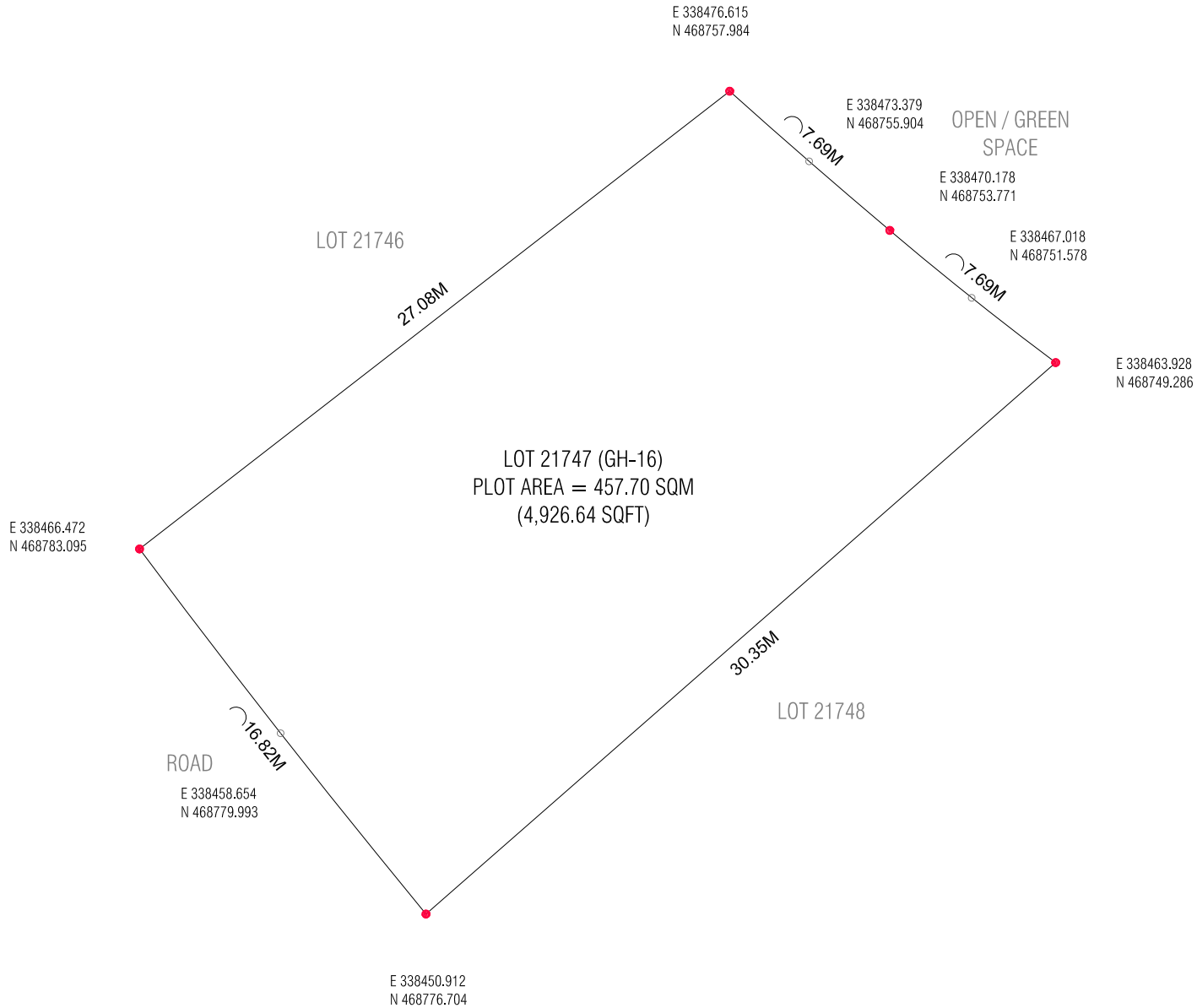
DRAWING: LOCATION MAP

Remarks:



LEGEND:

\* PROPOSED



PROJECT: LOT 21747 (GH-16)

Scale: N.T.S

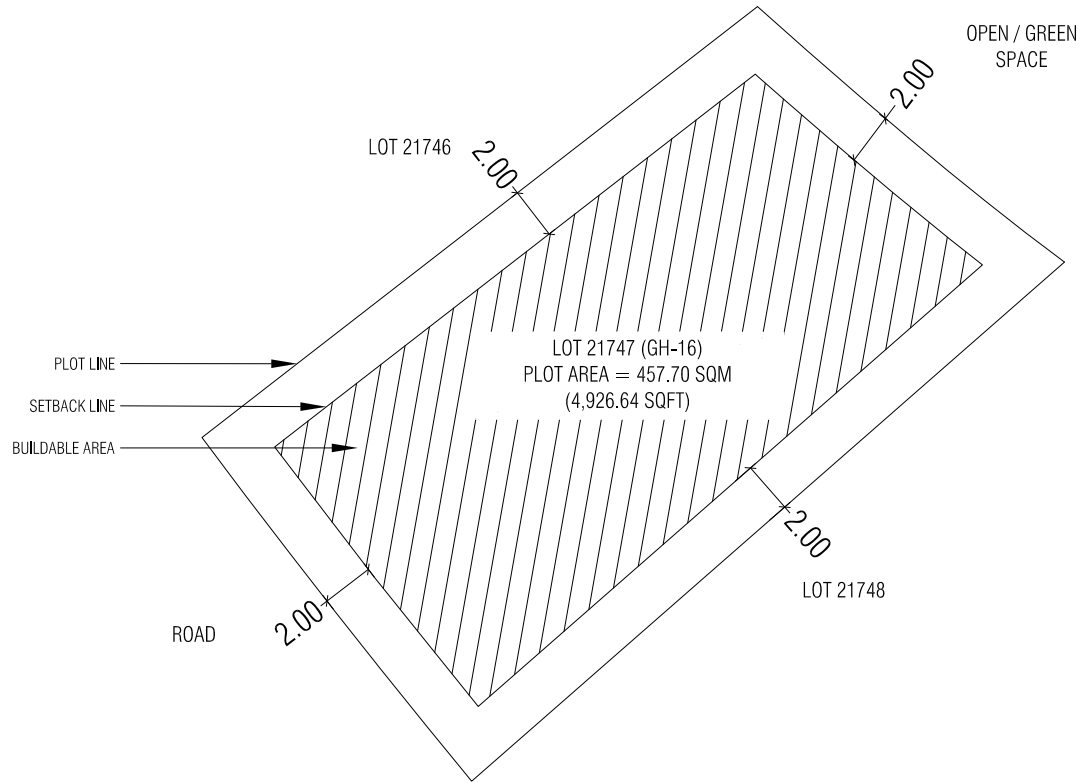
Drawn by: Thorif Ibrahim

Checked by: Mohamed Ibrahim

Date: 27th November 2022

Remarks:

DRAWING: PLOT MAP



Lot Number	Description	Land Use	Plot Area	Foot Print	Gross Floor Area (G.F.A)	Plot Ratio (F.S.I)	Site Coverage	Max Height / Floors
21747	Guesthouse	Hotels & Guesthouses	457.70 SQM	320.39 SQM	2,082.54 SQM	4.6	70%	6 Floors / 22.5m
			4,926.64 SQFT	3,448.65 SQFT	22,416.20 SQFT			18.5m bldg + 4m Lift Machine Room

PROJECT: LOT 21747 (GH-16)

DRAWING: SETBACK PLAN

Scale: N.T.S

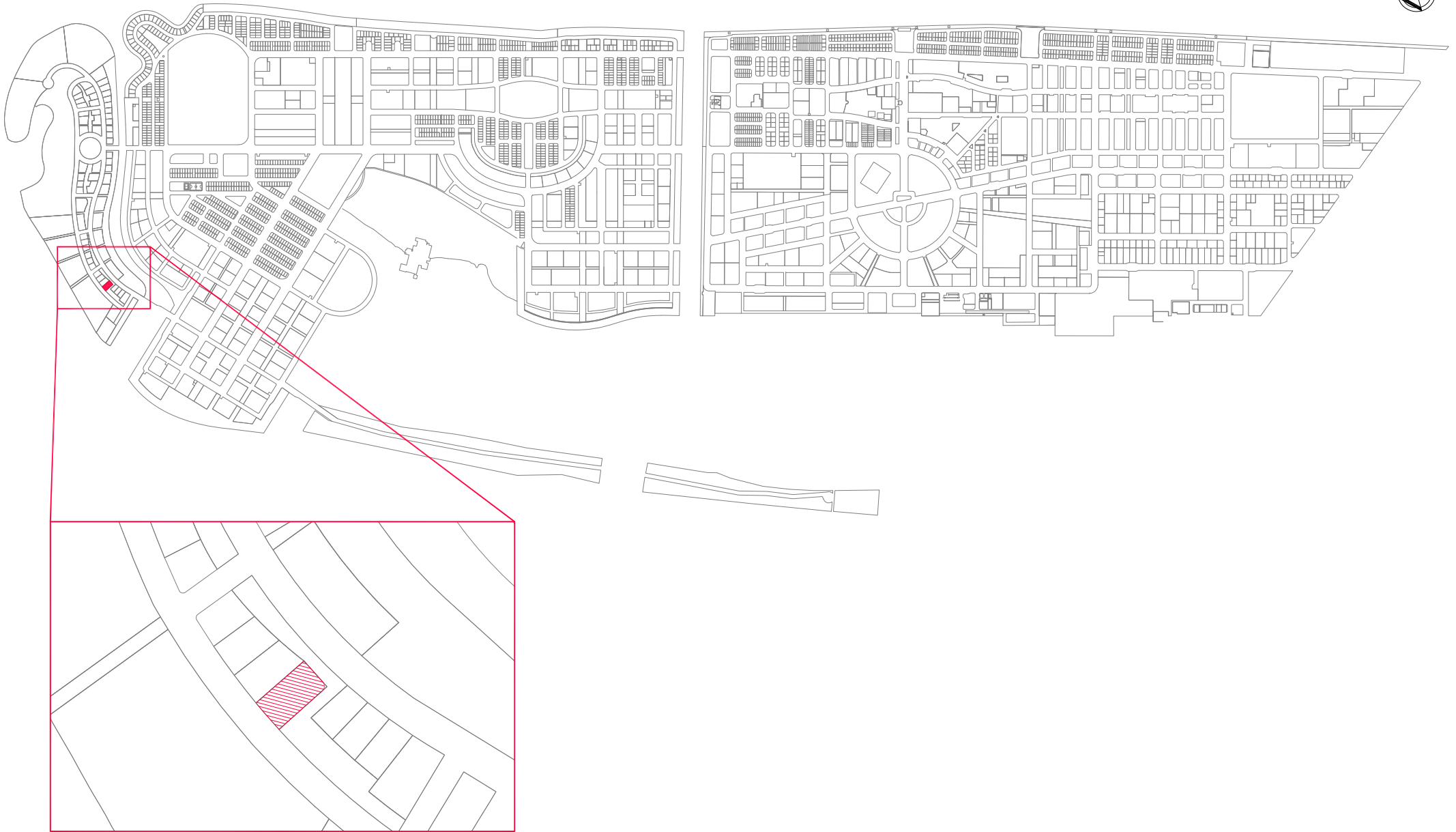
Drawn by: Mauman

Checked by:

Date: 5th November 2022

Remarks:





PROJECT: LOT 21748 (GH-17)

Scale: N.T.S

Drawn by: Thorif Ibrahim

Checked by: Mohamed Ibrahim

Date: 27th November 2022

DRAWING: LOCATION MAP

Remarks:



LEGEND:

\* PROPOSED

PROJECT: LOT 21748 (GH-17)

Scale: N.T.S

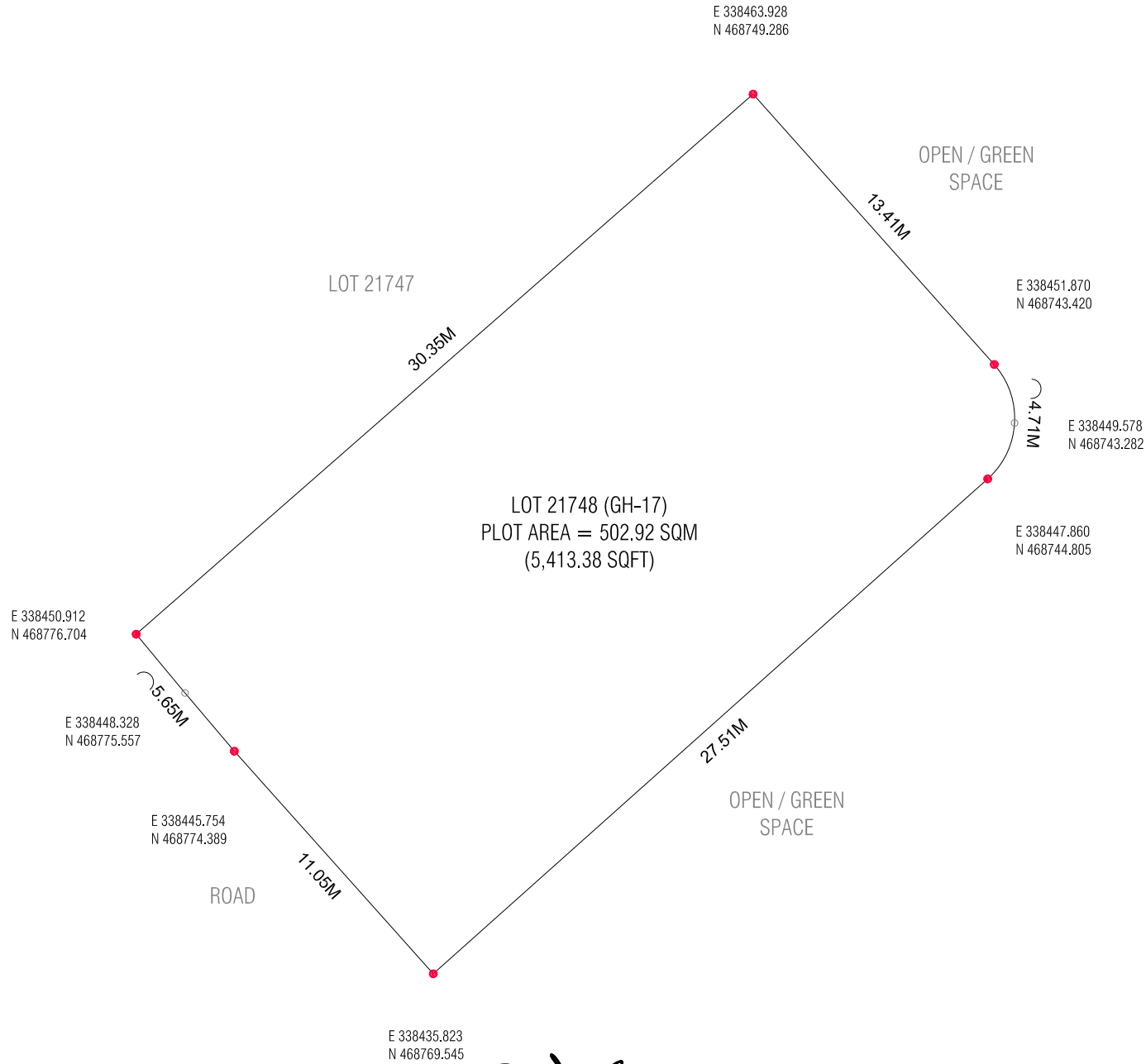
Drawn by: Shadheen

Checked by:

Date: 5th November 2022

Remarks:

DRAWING: SITE CONTEXT PLAN



PROJECT: LOT 21748 (GH-17)

Scale: N.T.S

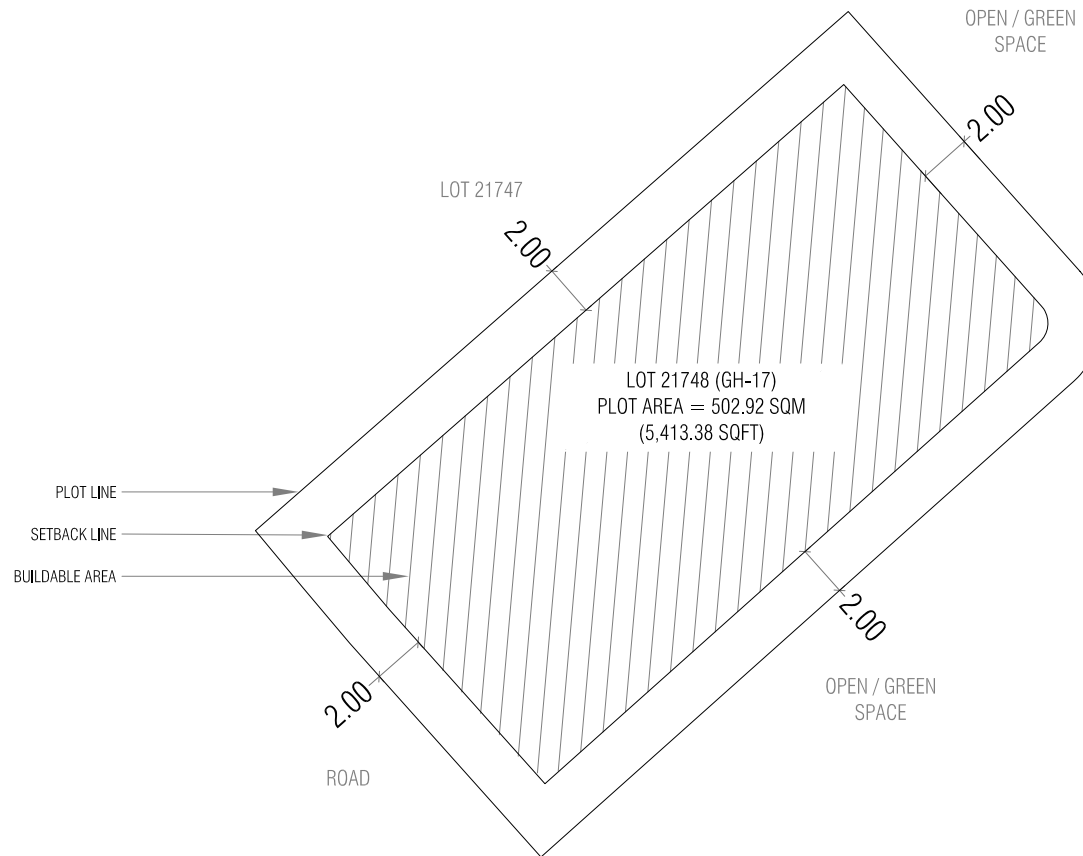
Drawn by: Thorif Ibrahim

Checked by: Mohamed Ibrahim

Date: 27th November 2022

Remarks:

DRAWING: PLOT MAP



Lot Number	Description	Land Use	Plot Area	Foot Print	Gross Floor Area (G.F.A)	Plot Ratio (F.S.I)	Site Coverage	Max Height / Floors
21748	Guesthouse	Hotels & Guesthouses	502.92 SQM	352.04 SQM	2,288.29 SQM	4.6	70%	6 Floors / 22.5m
			5,413.38 SQFT	3,789.37 SQFT	24,630.88 SQFT			18.5m bldg + 4m Lift Machine Room

PROJECT: LOT 21748 (GH-17)

DRAWING: SETBACK PLAN

Scale: N.T.S

Drawn by: Mauman

Checked by:

Date: 5th November 2022

Remarks: